

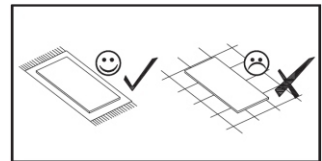
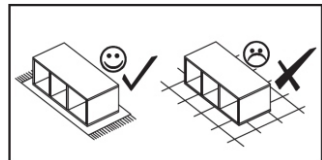
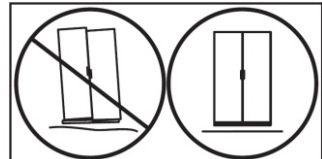
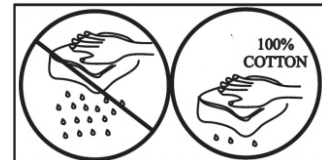
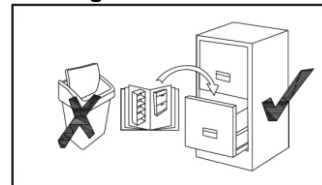
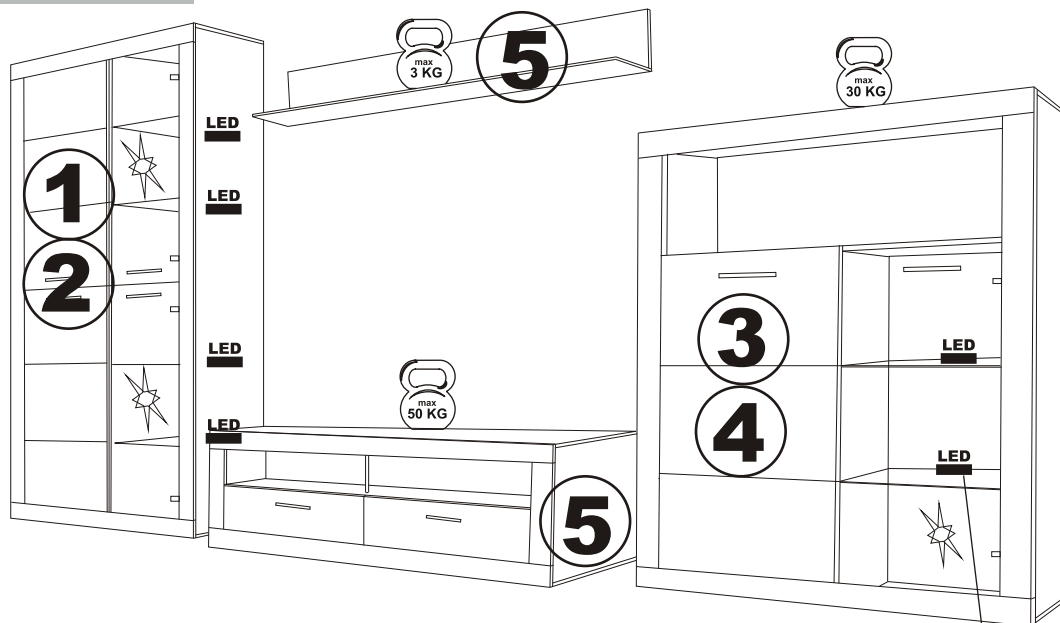
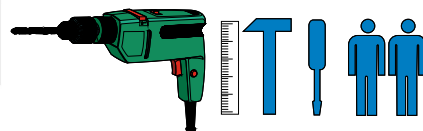


Anbauwand STONE 89-671-

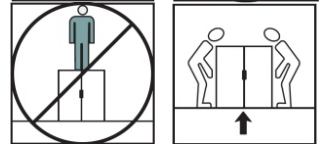
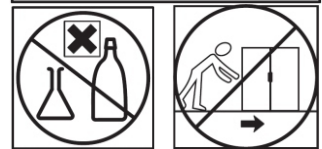
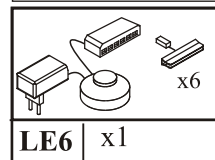
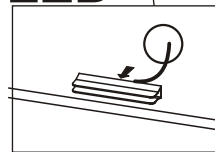
meble Lokmed

wyprodukowano dla / made for / produziert für
BEGA GRUPPE
 producent: **MEBLE OKMED POLAND**

BEGA GRUPPE



LED



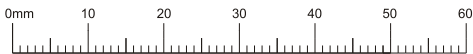
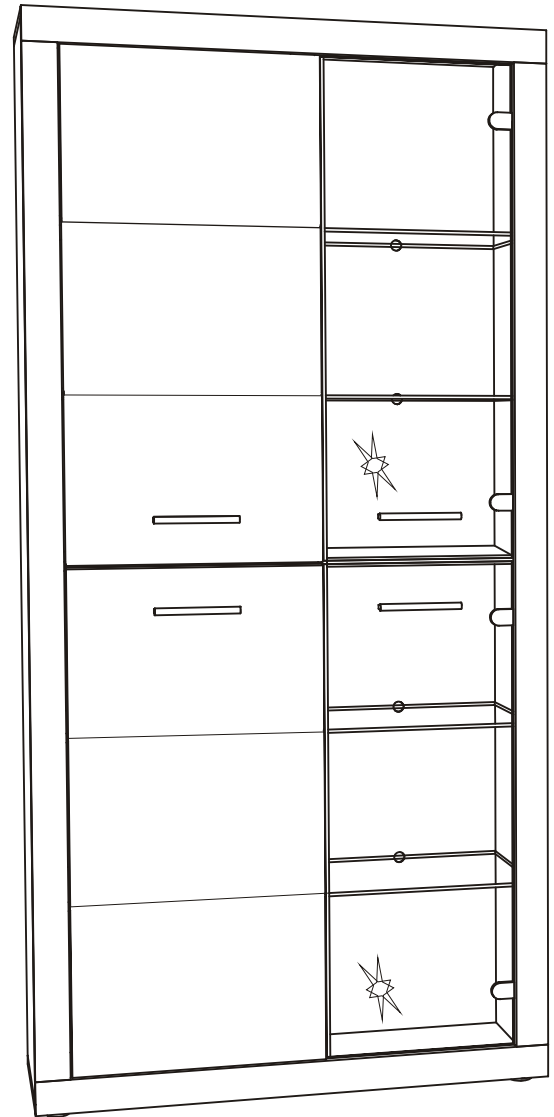
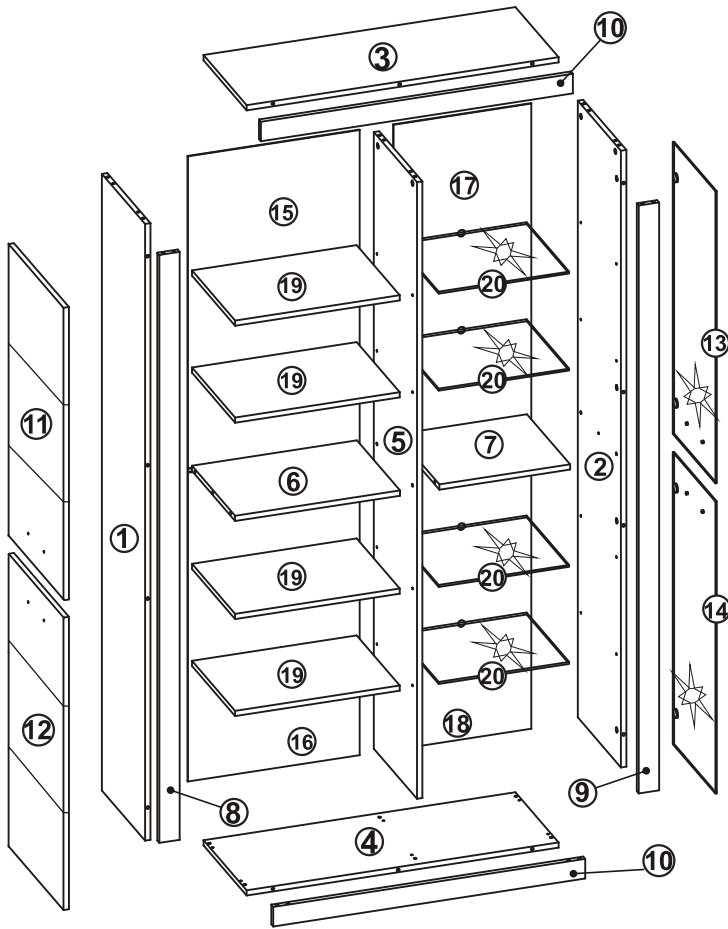
1	1/5	12	EL-STO-VIT-FRO-D-BI_POŁ	16x445x895	x1
		11	EL-STO-VIT-FRO-G-BI_POŁ	16x445x895	x1
		10	EL-STO-VIT-LIST-D-BE	16x921x60	x1
		10	EL-STO-VIT-LIST-G-BE	16x921x60	x1
		15,16	EL-STO-VIT-PLECY-HDF-L-BI	3x502x952	x2
		17,18	EL-STO-VIT-PLECY-HDF-P-W-BI	3x402x952	x2
		13,14	S-SZ-STONE-WITR	4x345x895	x2
20	S-SZ-STONE-PÓŁKA	5x385x325	x4		

2	2/5	1	EL-STO-VIT-BOK-L-BE	16x350x1.888	x1
		2	EL-STO-VIT-BOK-P-BE	16x350x1.888	x1
		4	EL-STO-VIT-DACH-D-BE	16x920x350	x1
		3	EL-STO-VIT-DACH-G-BE	16x920x350	x1
		8	EL-STO-VIT-LIST-L-BE	16x60x1.800	x1
		9	EL-STO-VIT-LIST-P-BE	16x60x1.800	x1
		19	EL-STO-VIT-PÓŁKA-BE	16x486x331	x4
		5	EL-STO-VIT-PRZEG-BE	16x331x1.888	x1
6	EL-STO-VIT-WIEN-L-BE	16x486x331	x1		
7	EL-STO-VIT-WIEN-P-BE	16x386x331	x1		

3	3/5	22	EL-STO-HB-PRZEG-BE	16x331x927	x1
		24	EL-STO-HB-PÓŁKA-BE	16x486x331	x2
		29A	EL-STO-HB-LIST-G-BE	16x921x60	x1
		29B	EL-STO-HB-LIST-D-BE	16x921x60	x1
		34	EL-STO-HB-PLECY-HDF-L-BI	3x502x946	x1
		32	EL-STO-HB-PLECY-HDF-P-BI	3x402x946	x1
		33	EL-STO-HB-PLECY-HDF-G-BI	3x904x360	x1
		30	EL-STO-HB-FRO-L-BI_POŁ	16x445x895	x1
		31	S-SZ-STONE-WITR	4x345x895	x1
		25	S-SZ-STONE-PÓŁKA	5x385x325	x2

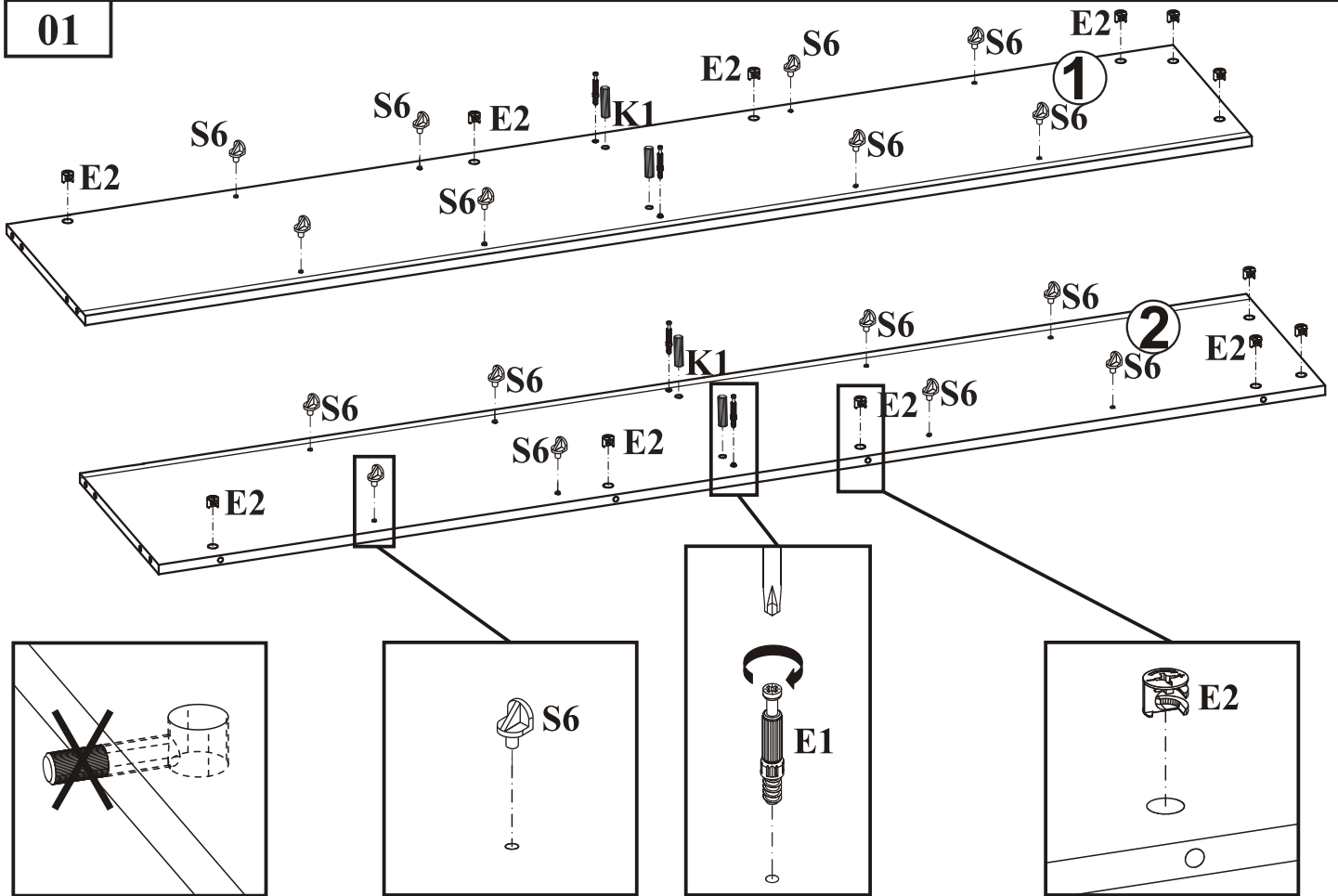
4	4/5	21A	EL-STO-HB-BOK-L-BE	16x350x1.288	x1
		21B	EL-STO-HB-BOK-P-BE	16x350x1.288	x1
		26	EL-STO-HB-DACH-D-BE	16x920x350	x1
		23	EL-STO-HB-DACH-G-BE	16x920x350	x1
		28A	EL-STO-HB-LIST-L-BE	16x60x1.199	x1
		28B	EL-STO-HB-LIST-P-BE	16x60x1.199	x1
		27	EL-STO-HB-WIEN-BE	16x887x331	x1

5	5/5	35	EL-STO-LB-BOK-L-BE	16x460x382	x1
		36	EL-STO-LB-BOK-P-BE	16x460x382	x1
		45A	EL-STO-LB-BOK-SZ-L-BE	16x395x110	x2
		45B	EL-STO-LB-BOK-SZ-P-BE	16x395x110	x2
		37	EL-STO-LB-DACH-D-BE	16x1.200x460	x1
		38	EL-STO-LB-DACH-G-BE	16x1.200x460	x1
		48	EL-STO-LB-DNO-SZ-HDF-BI	3x502x400	x2
		46	EL-STO-LB-FRO-SZ-L-BI_POŁ	16x536x146	x1
		46	EL-STO-LB-FRO-SZ-P-BI_POŁ	16x536x146	x1
		44	EL-STO-LB-LIST-D-BE	16x1.201x60	x1
		44	EL-STO-LB-LIST-G-BE	16x1.201x60	x1
		43	EL-STO-LB-LIST-L-BE	16x60x294	x1
		43	EL-STO-LB-LIST-P-BE	16x60x294	x1
		49	EL-STO-LB-PLECY-HDF-BI	3x1.180x210	x1
		39	EL-STO-LB-PRZE-L-BE	16x434x181	x1
		41	EL-STO-LB-PRZE-P-BE	16x434x181	x1
		40	EL-STO-LB-PRZE-S-BE	16x434x181	x1
		47	EL-STO-LB-TYL-SZ-BE	16x485x94	x2
42	EL-STO-LB-WIEN-BE	16x1.167x433	x1		
50	EL-STO-PW-TYLNIAK-BE	16x1.200x250	x1		
51	EL-STO-PW-PÓŁKA-BI_POŁ	16x1.199x234	x1		

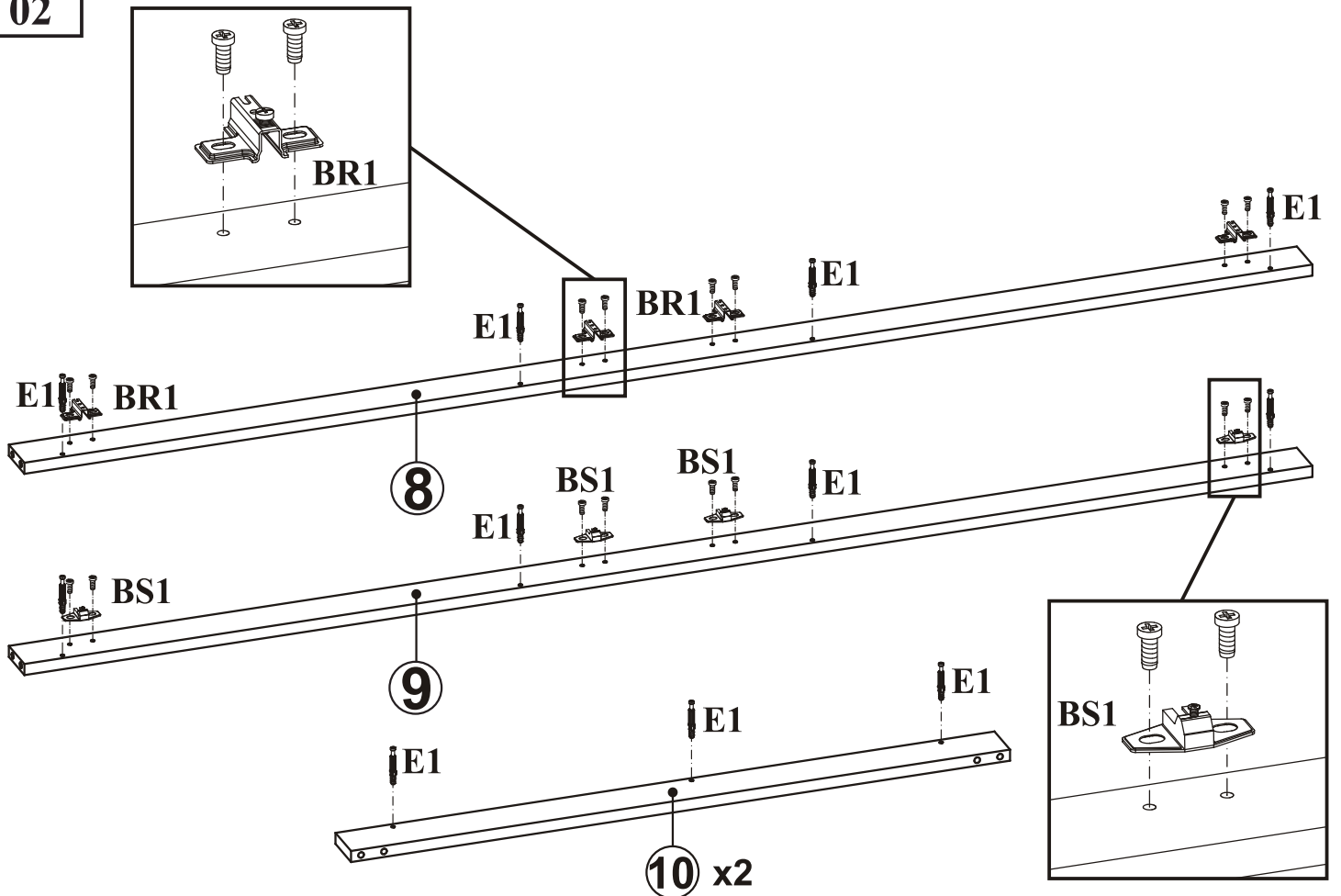


E5 x2	LE6 x1	SP x12	Z x1	W x6	OS x2	
P1 x16	BR1 x4	CR1 x4	F3 x8	BS1 x4	CS1 x4	ZS1 x4
E1 x24	E2 x28	E3 x28	G1 x18	K1 x16	K3 x10	L1 x1
O1 x1	U x4	T4 x4	S6 x32	S8 x4	T3 x8	S12 x4

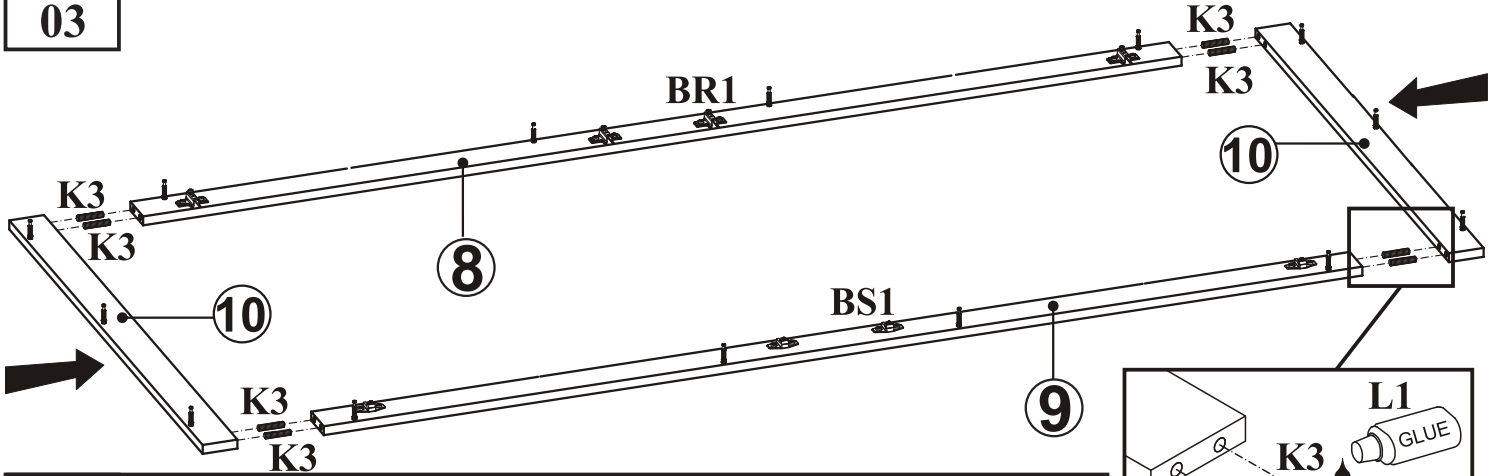
01



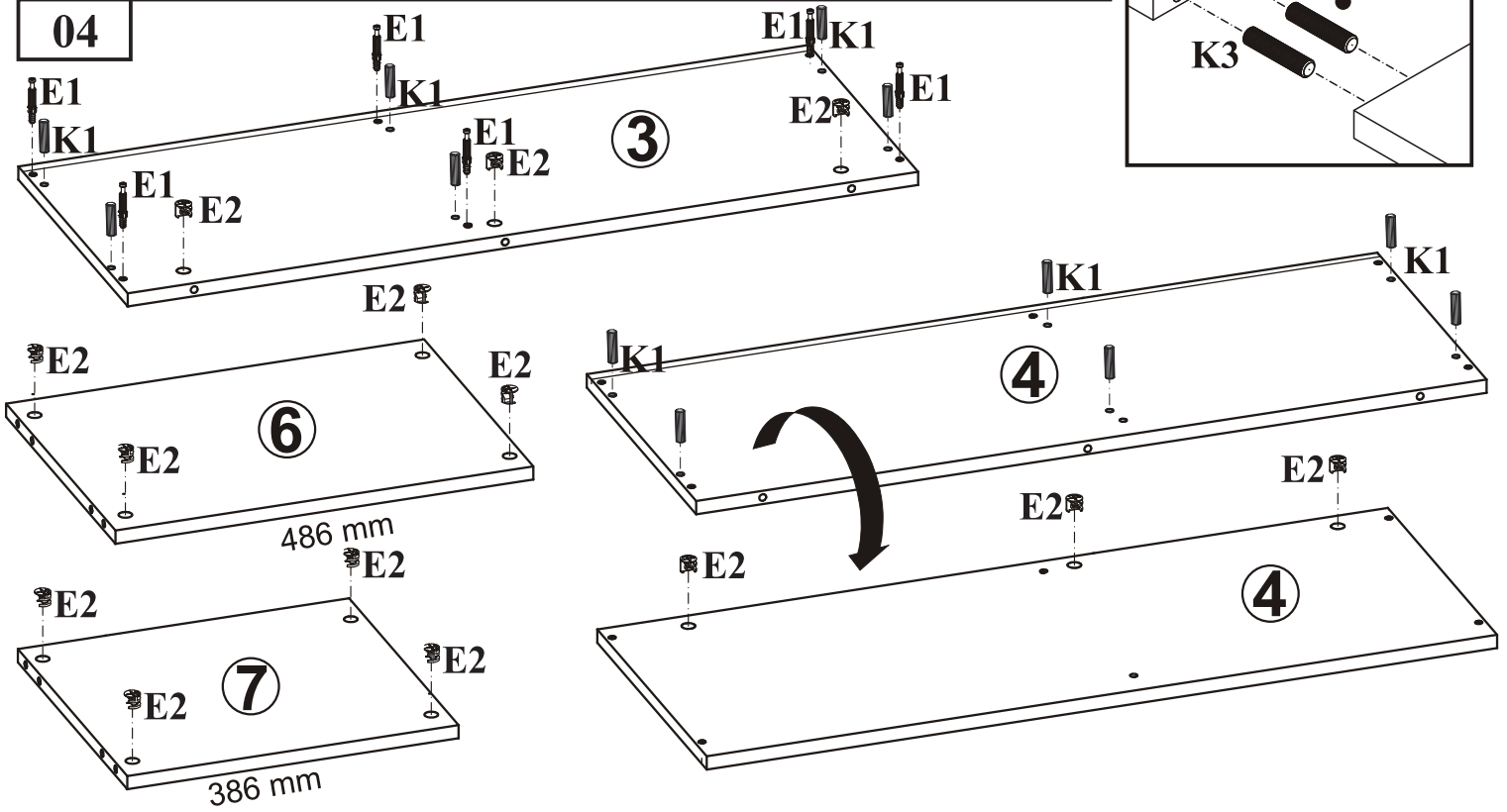
02



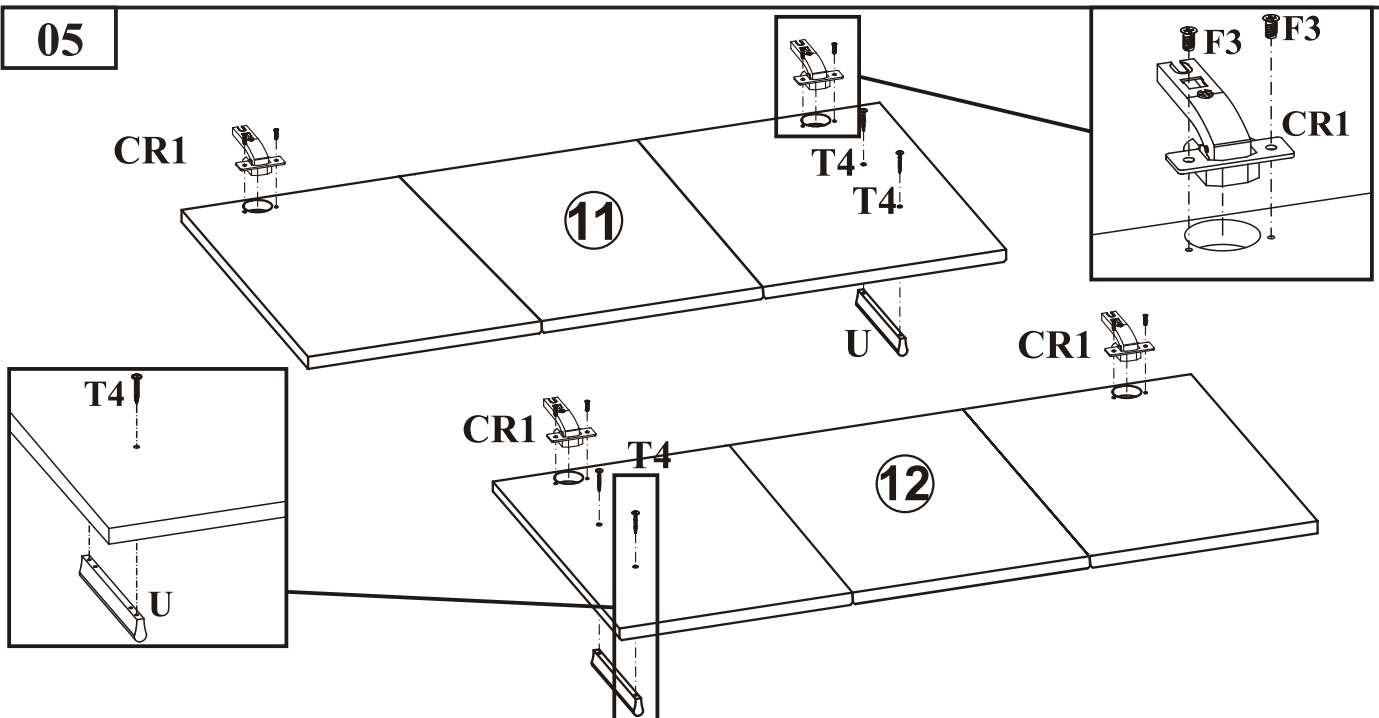
03



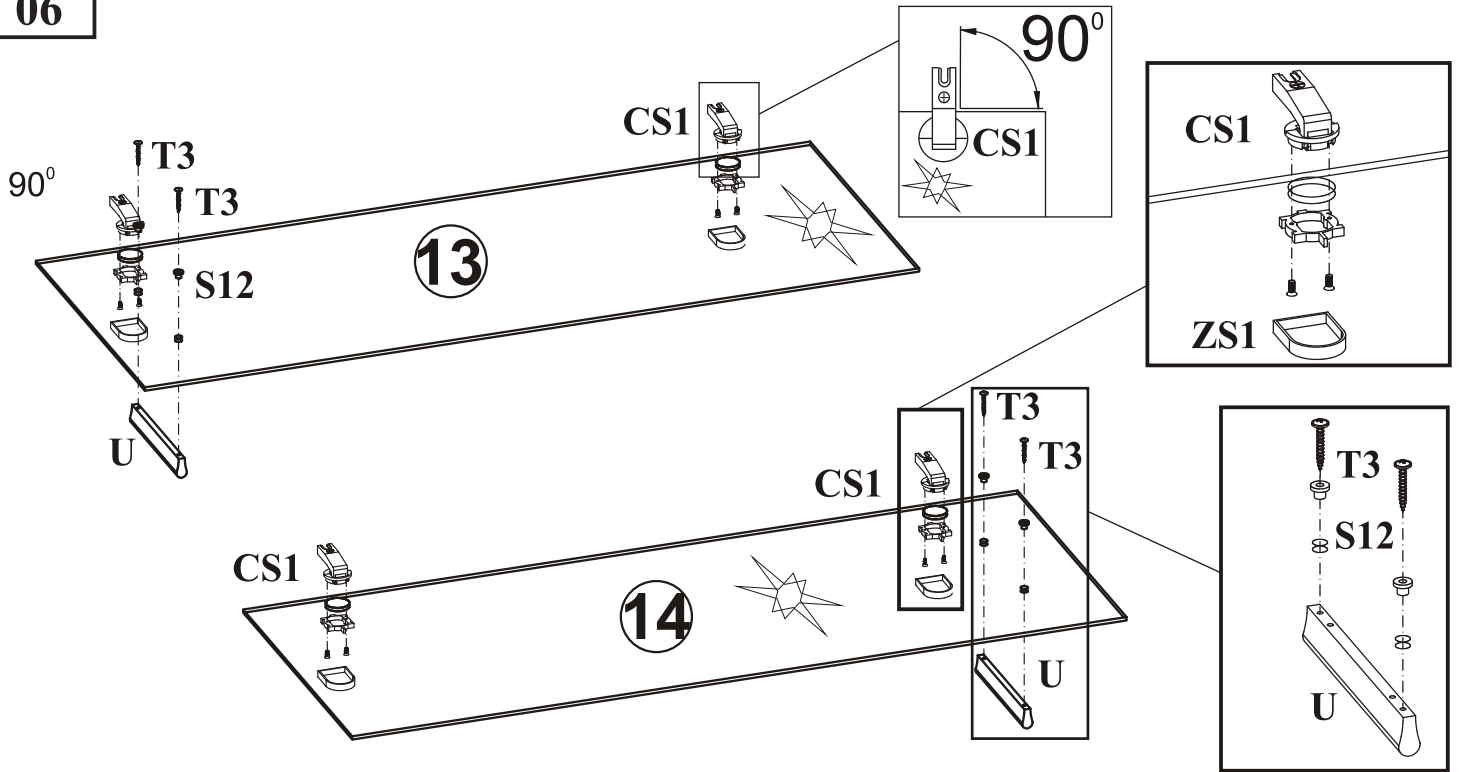
04



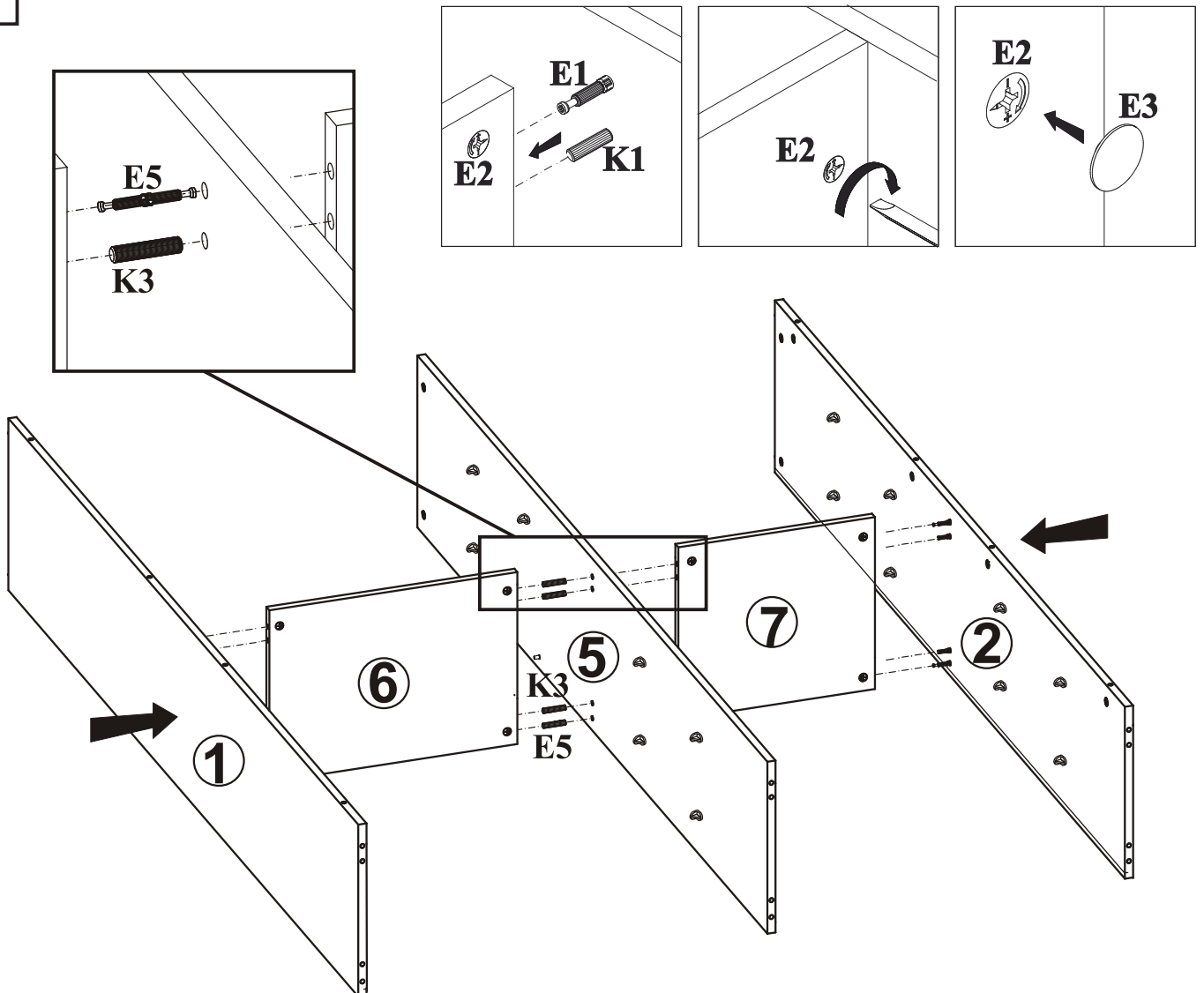
05



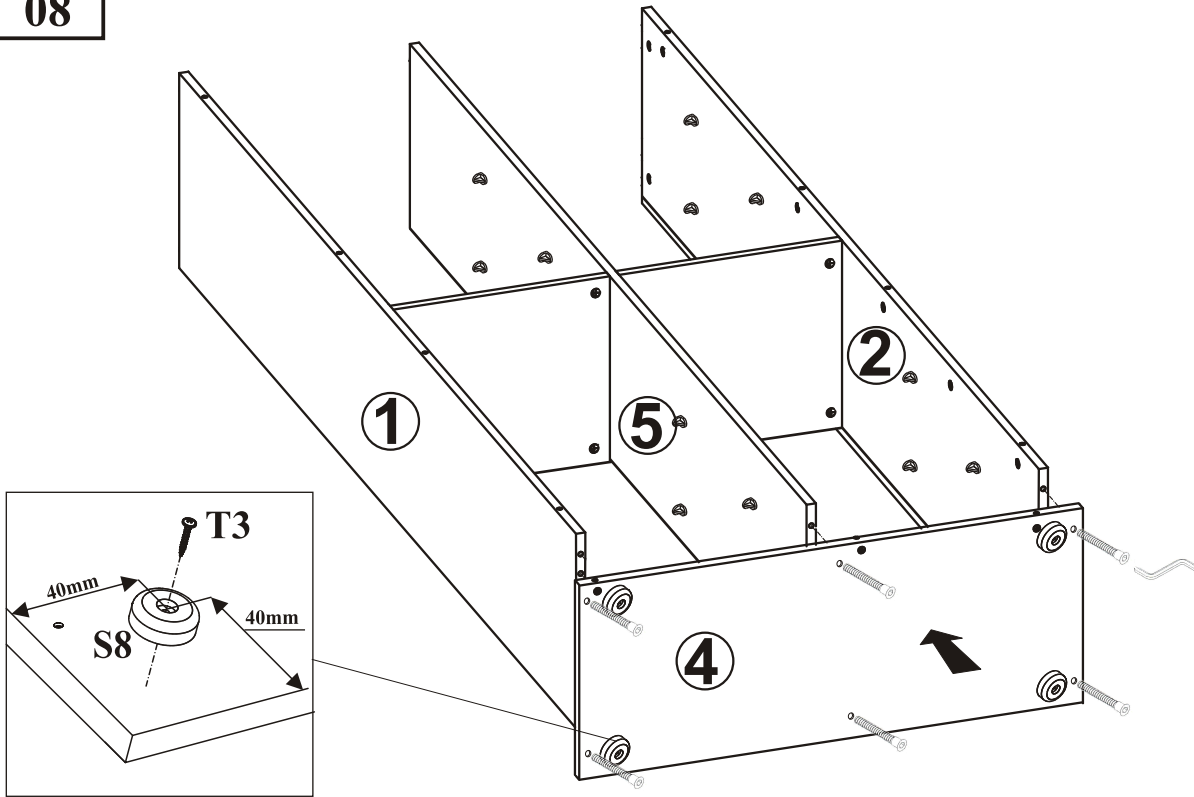
06



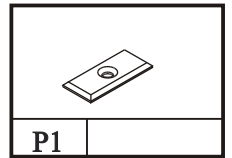
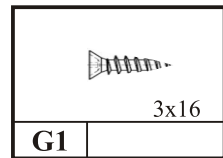
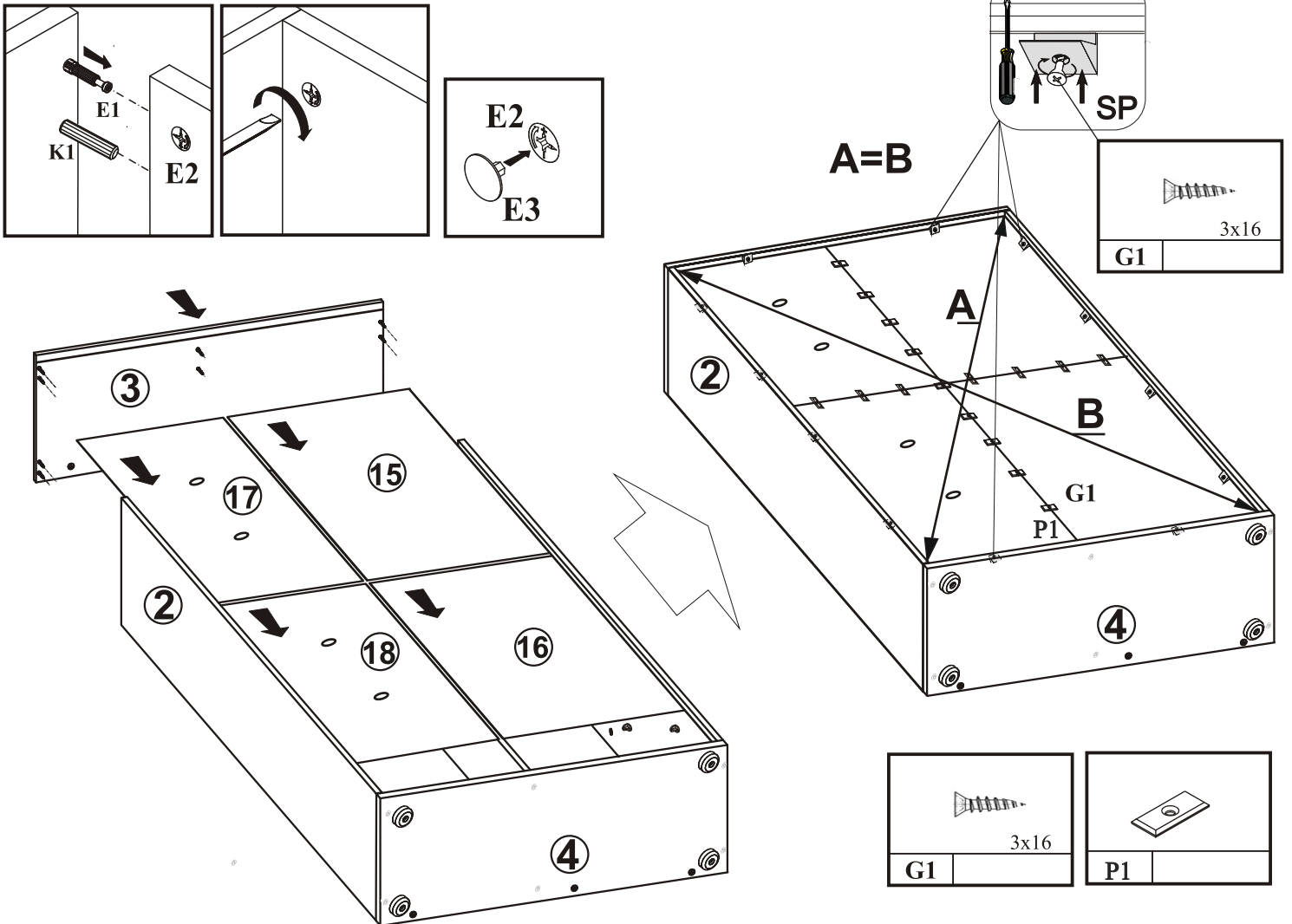
07



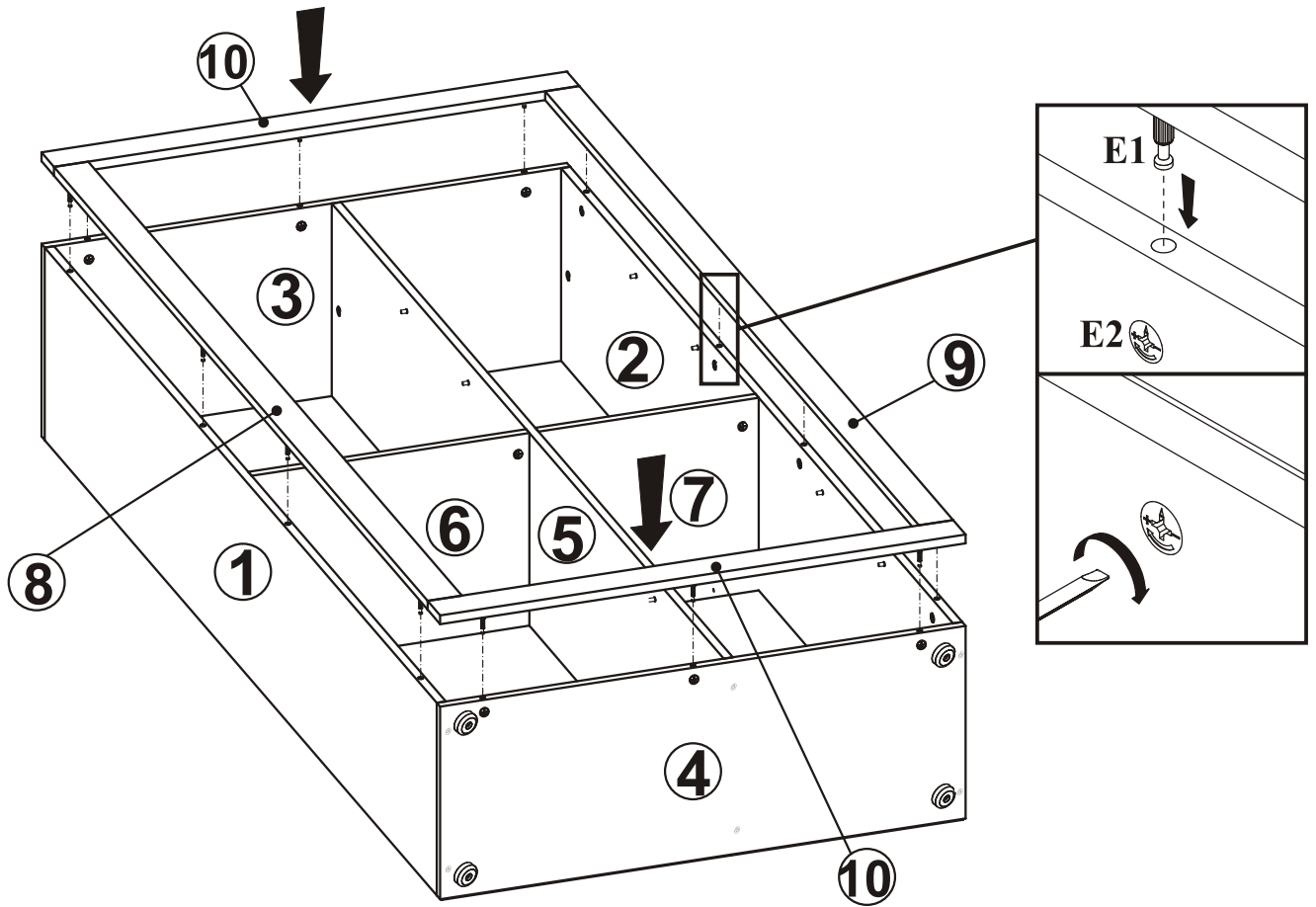
08



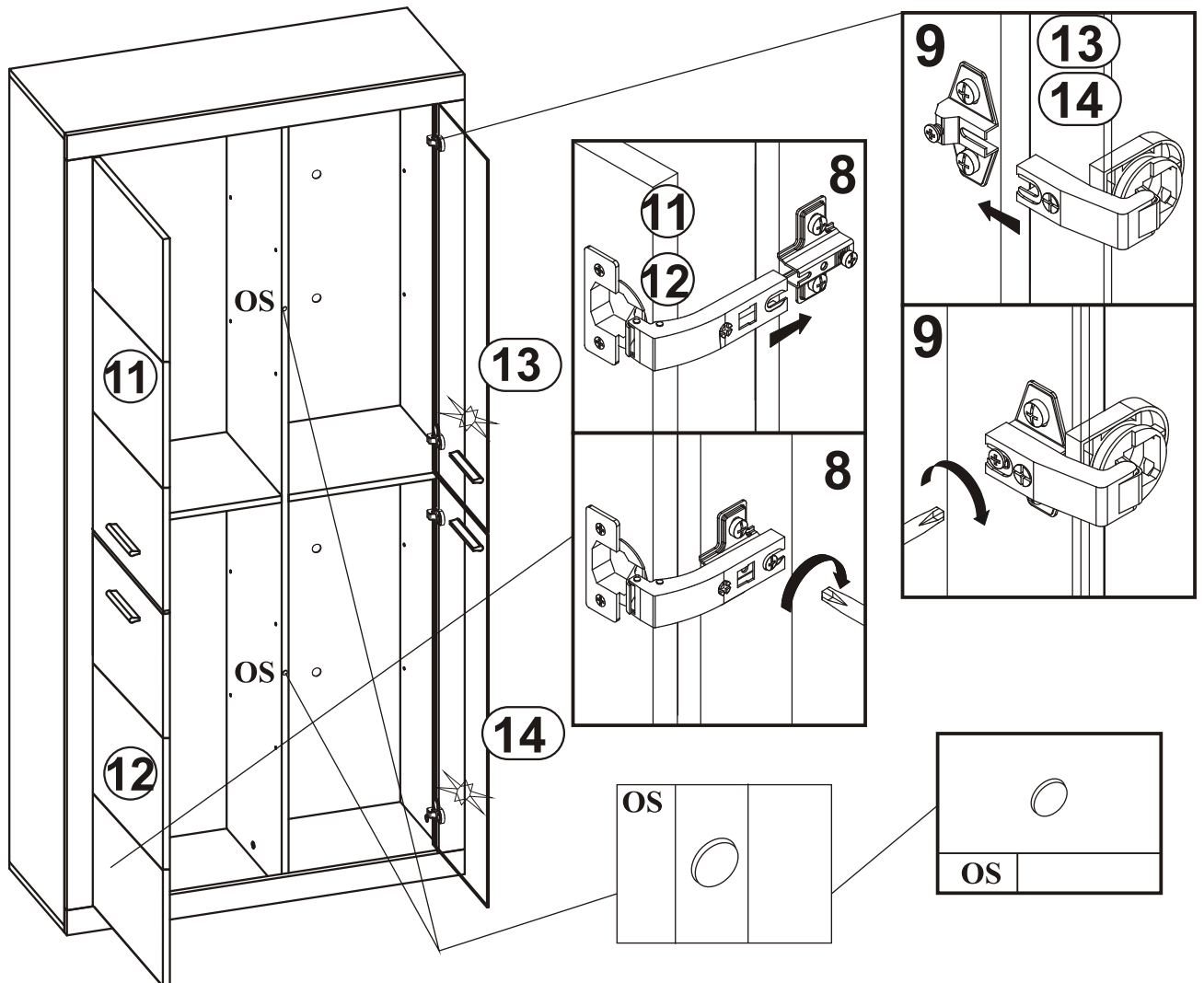
09



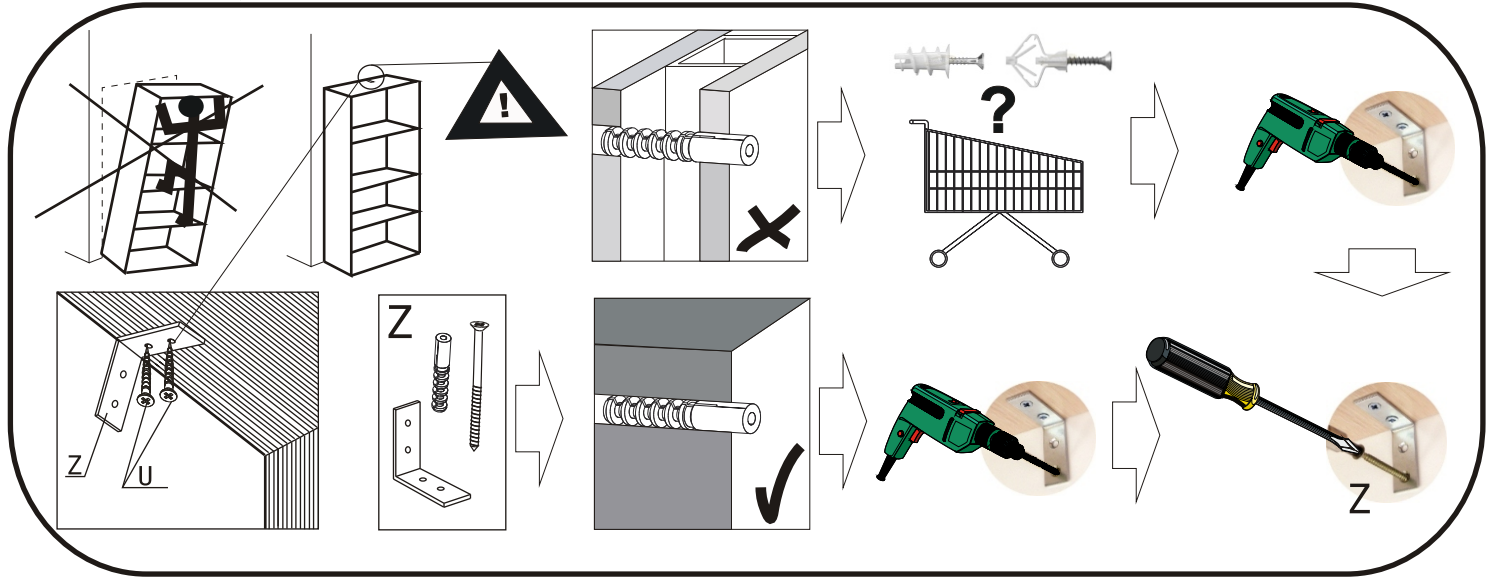
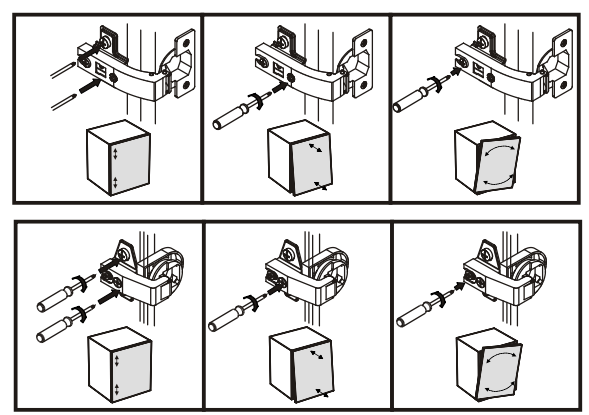
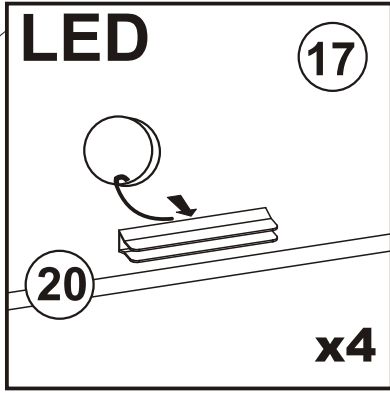
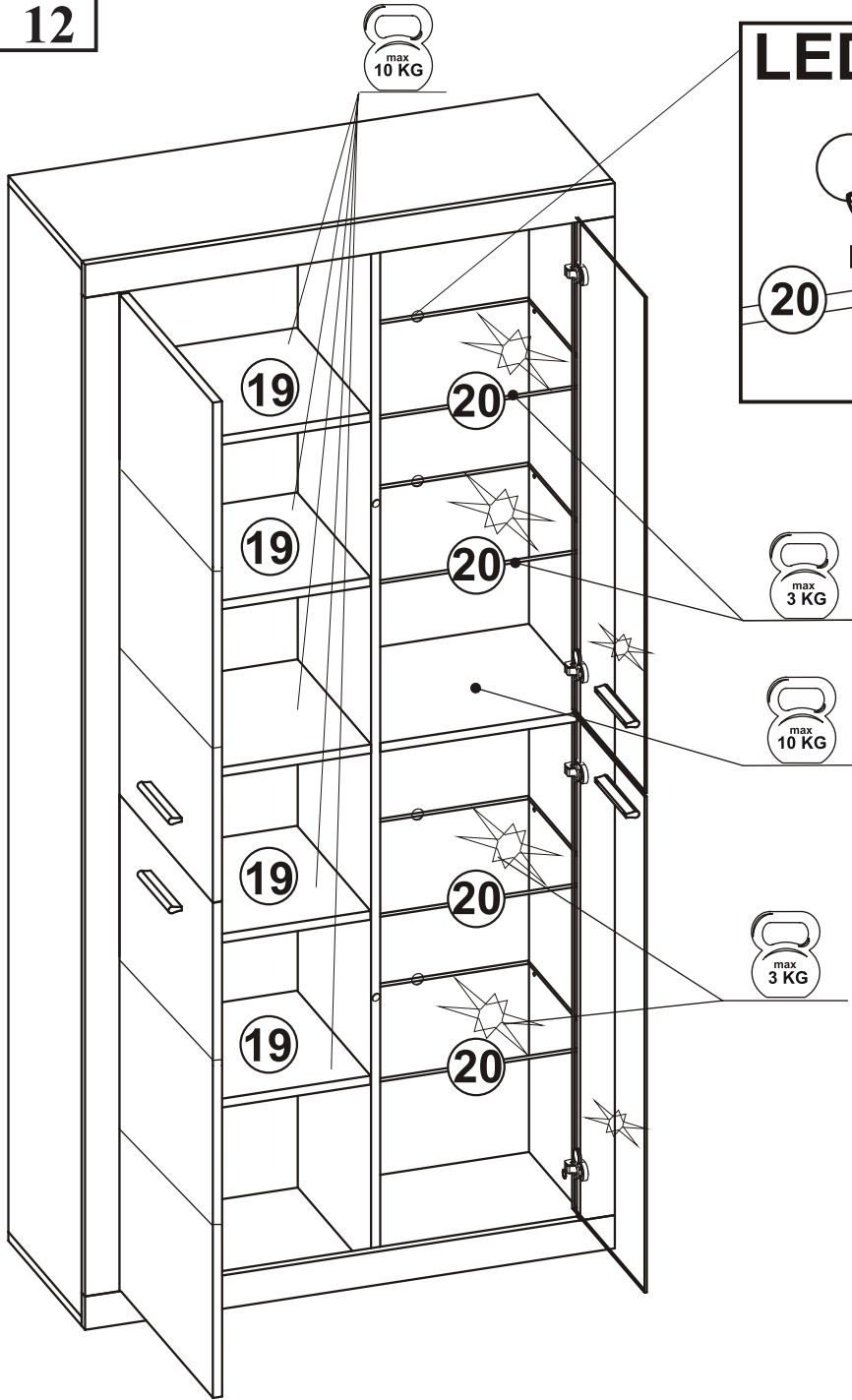
10

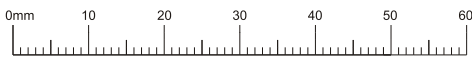
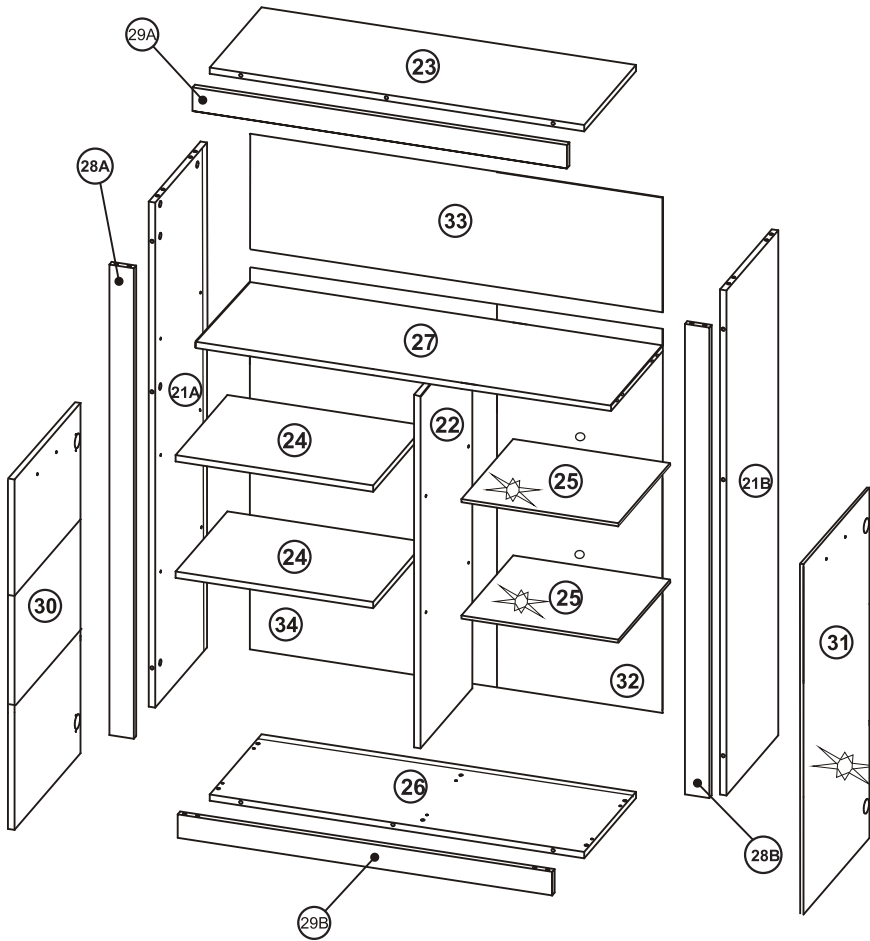


11



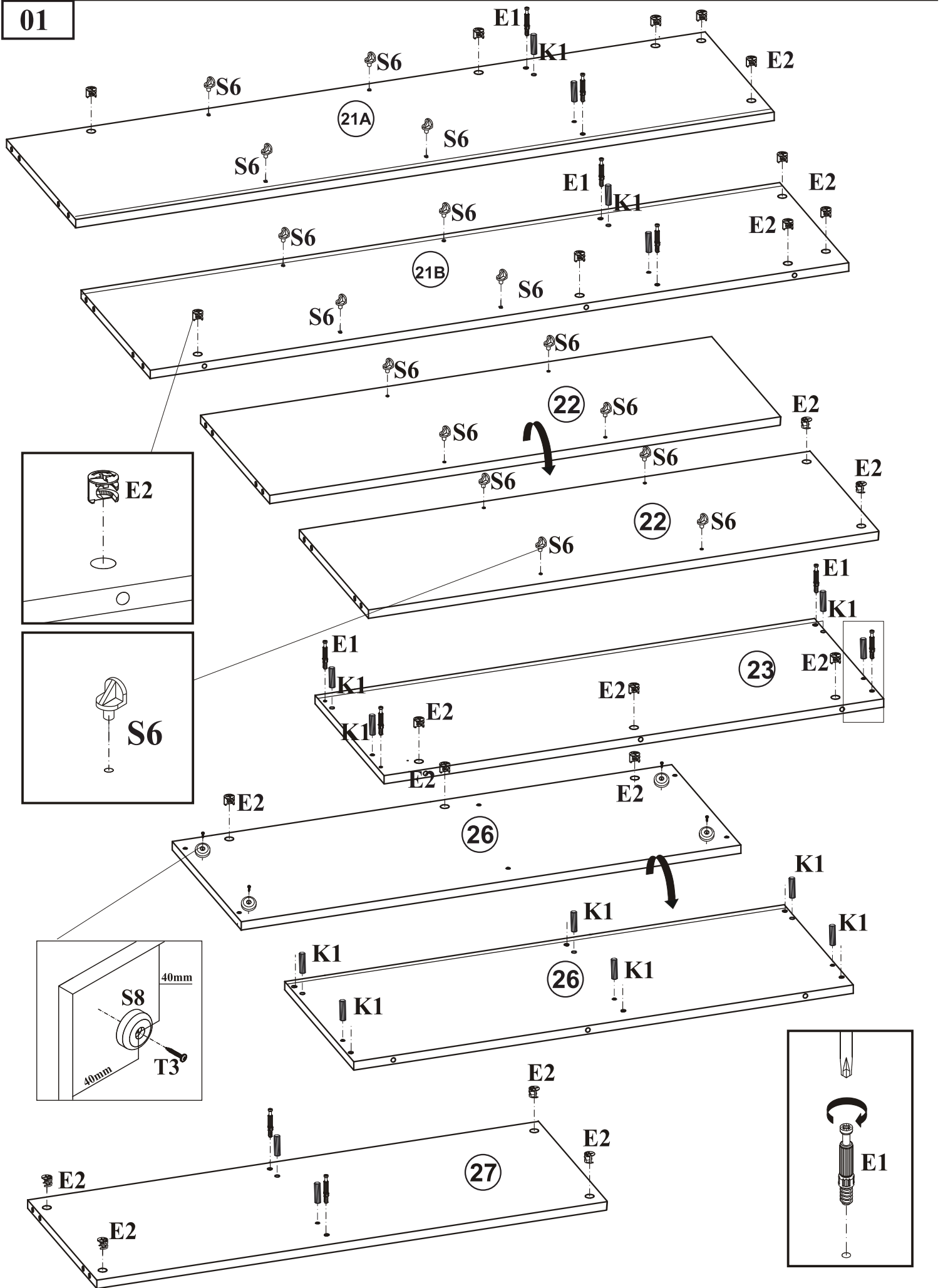
12



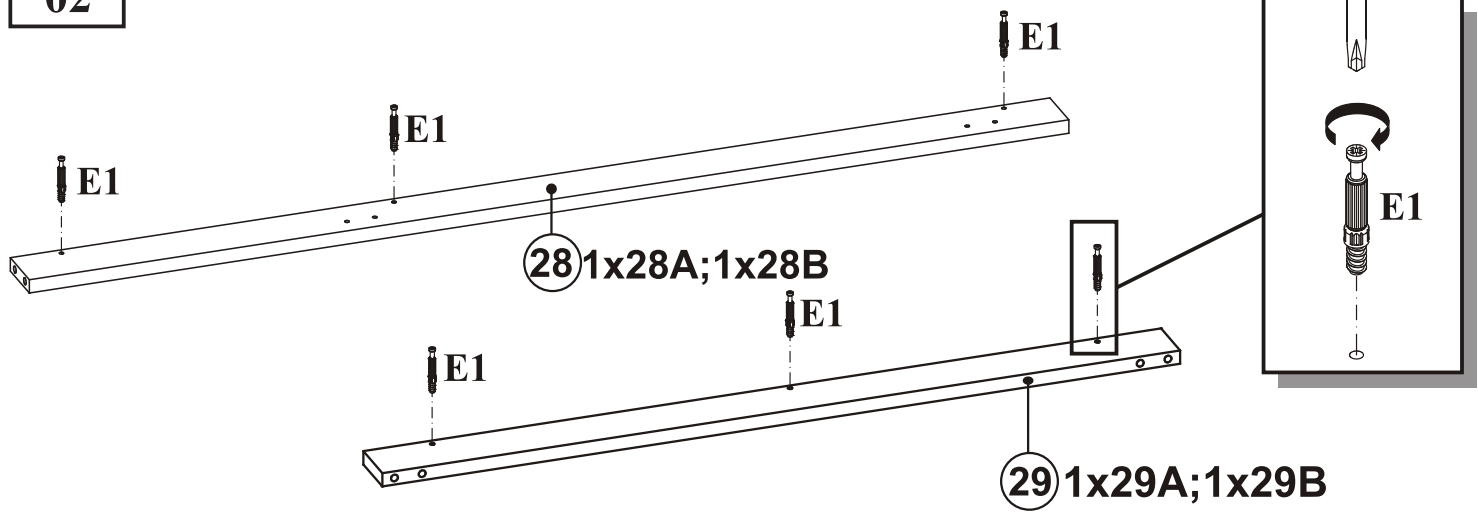


SP x8	W x6	Z x1	OS x1			
S12 x2	CS1 x2	BS1 x2	ZS1 x2	BR1 x2	CR1 x2	F3 x4
E1 x22	E2 x22 15x12,5	E3 x22	G1 11 3X16	K1 x16 8x35	K3 x8 8x50	P1 x9
L1 x1	O1 x1	S6 x16	S8 x4	T3 x6 4x20	T4 x4 3,5x27	U x2

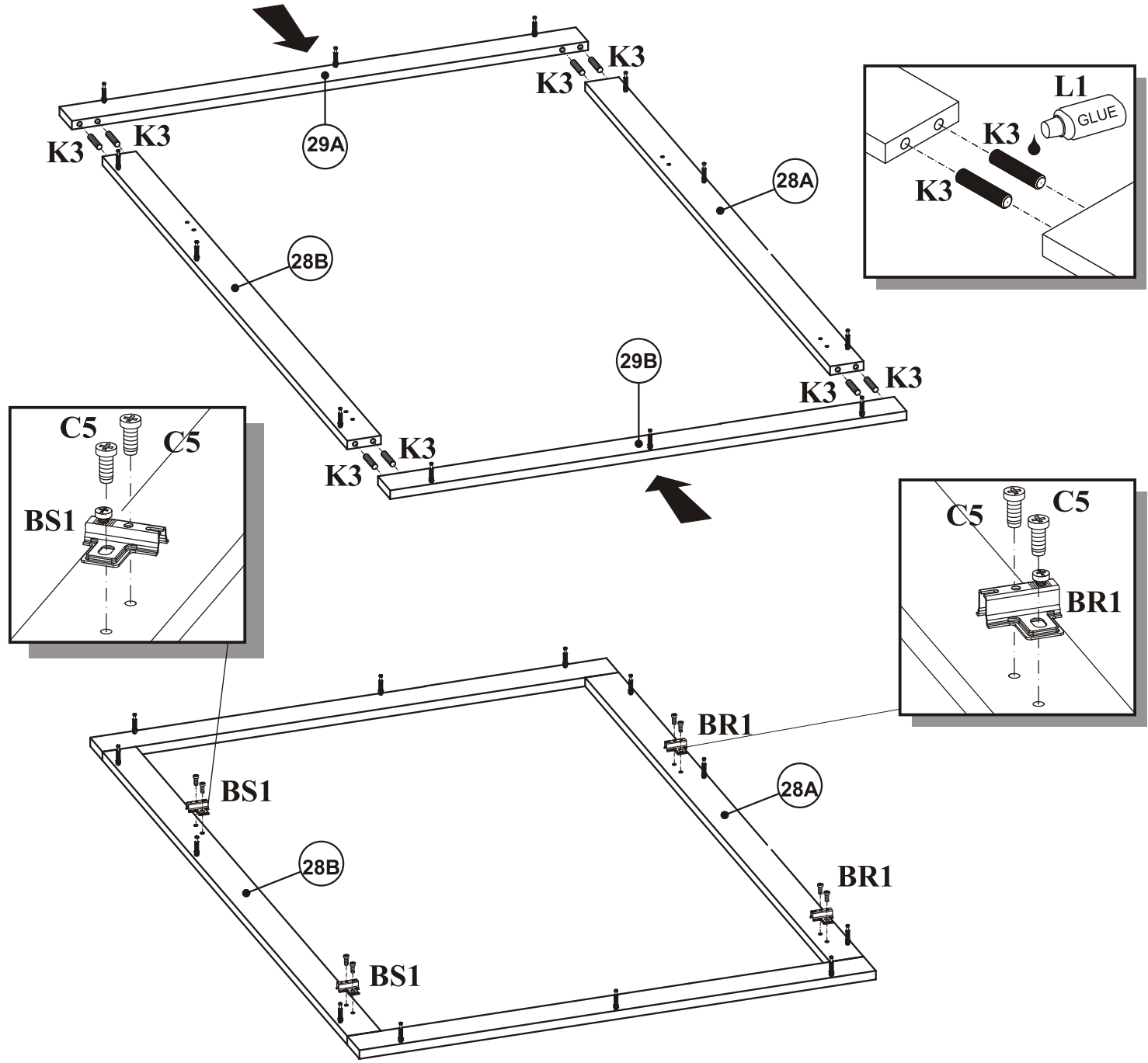
01



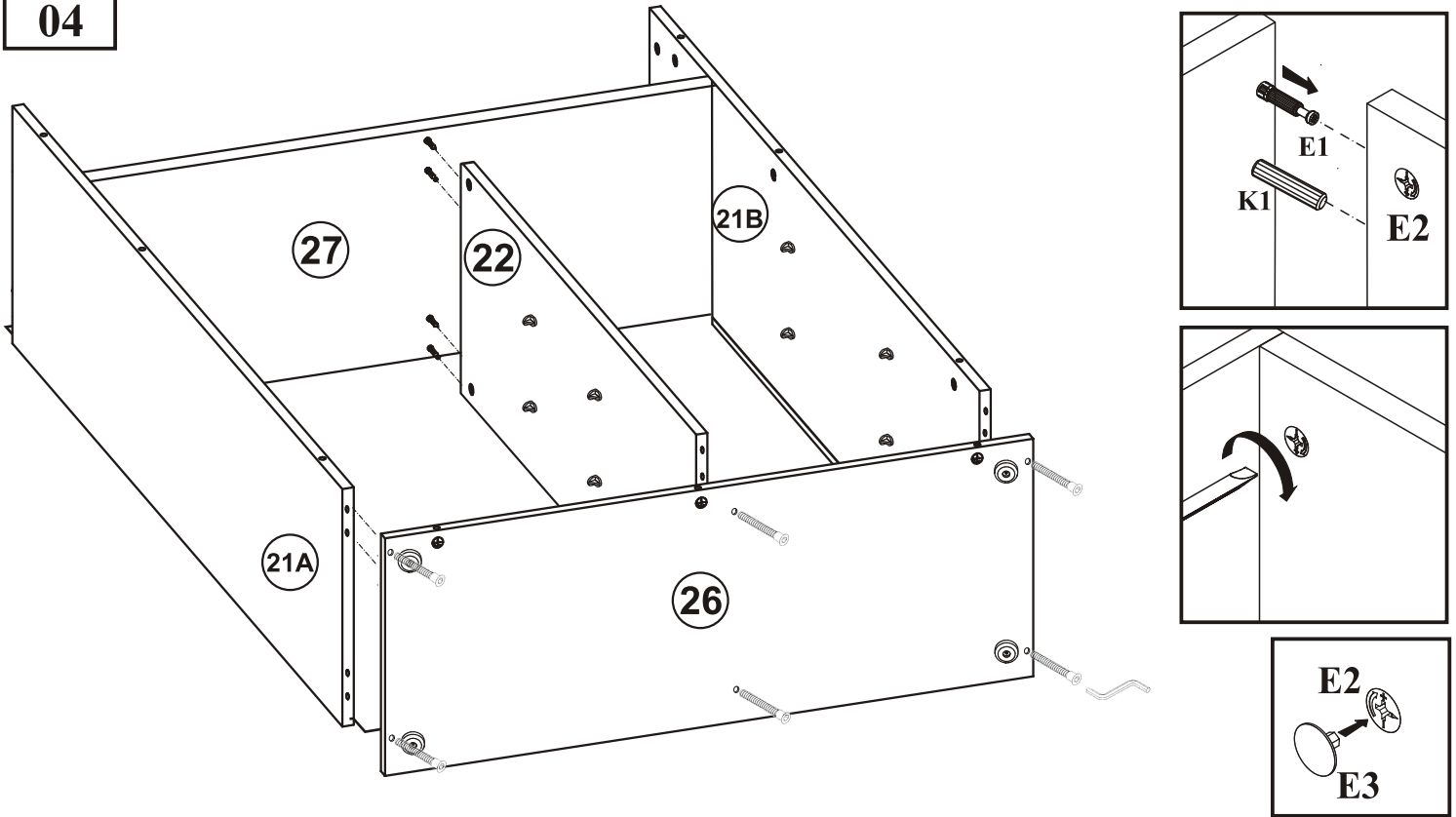
02



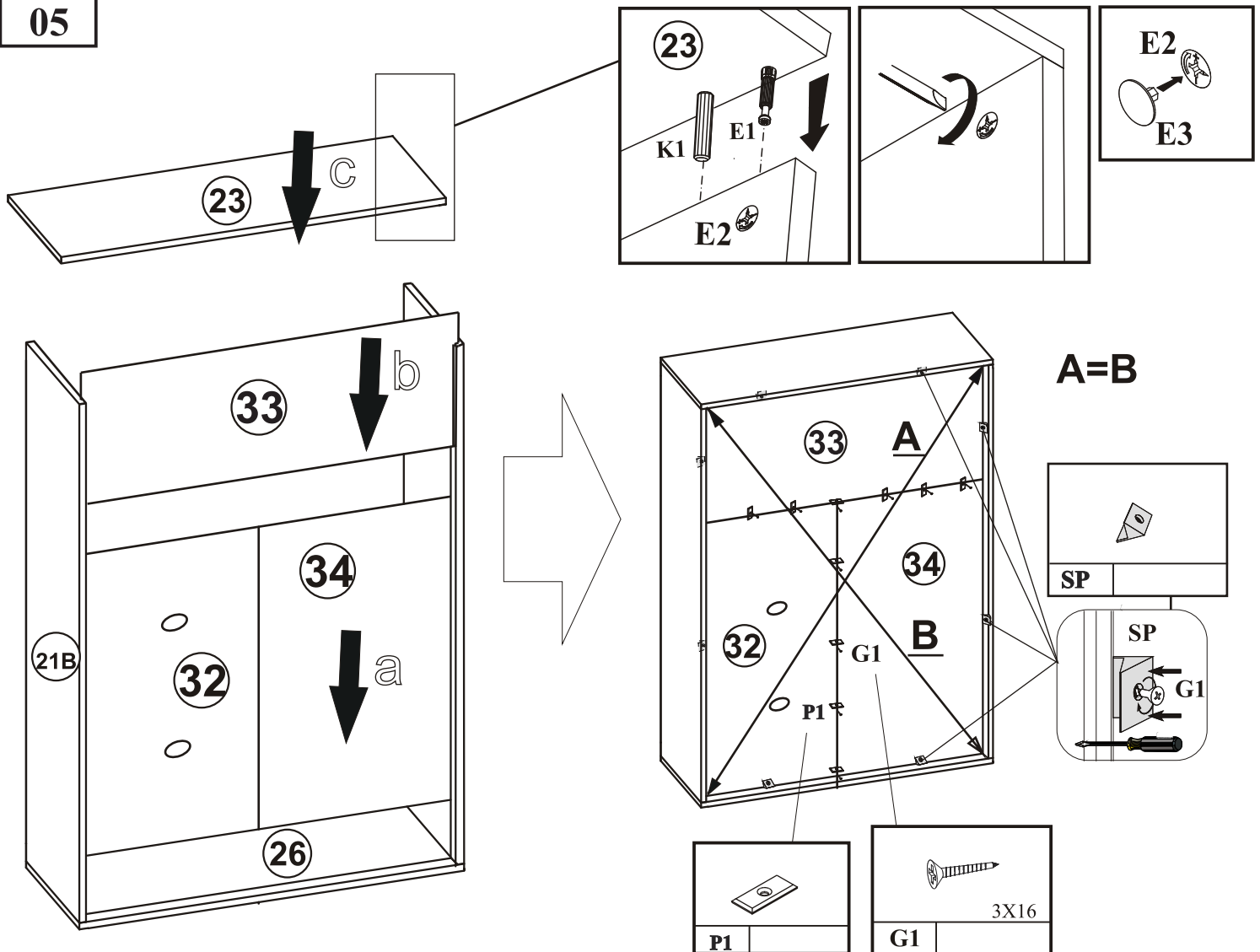
03



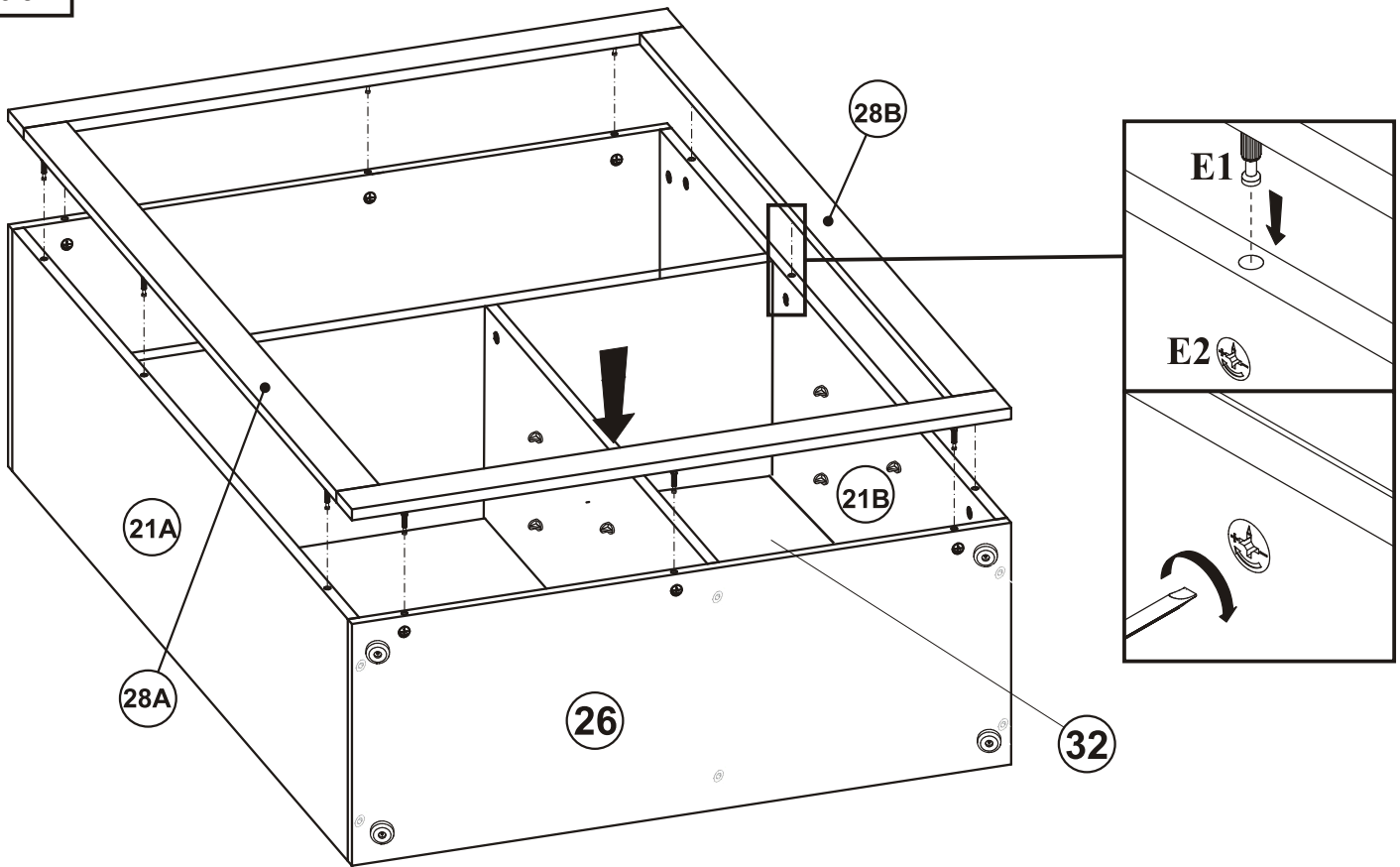
04



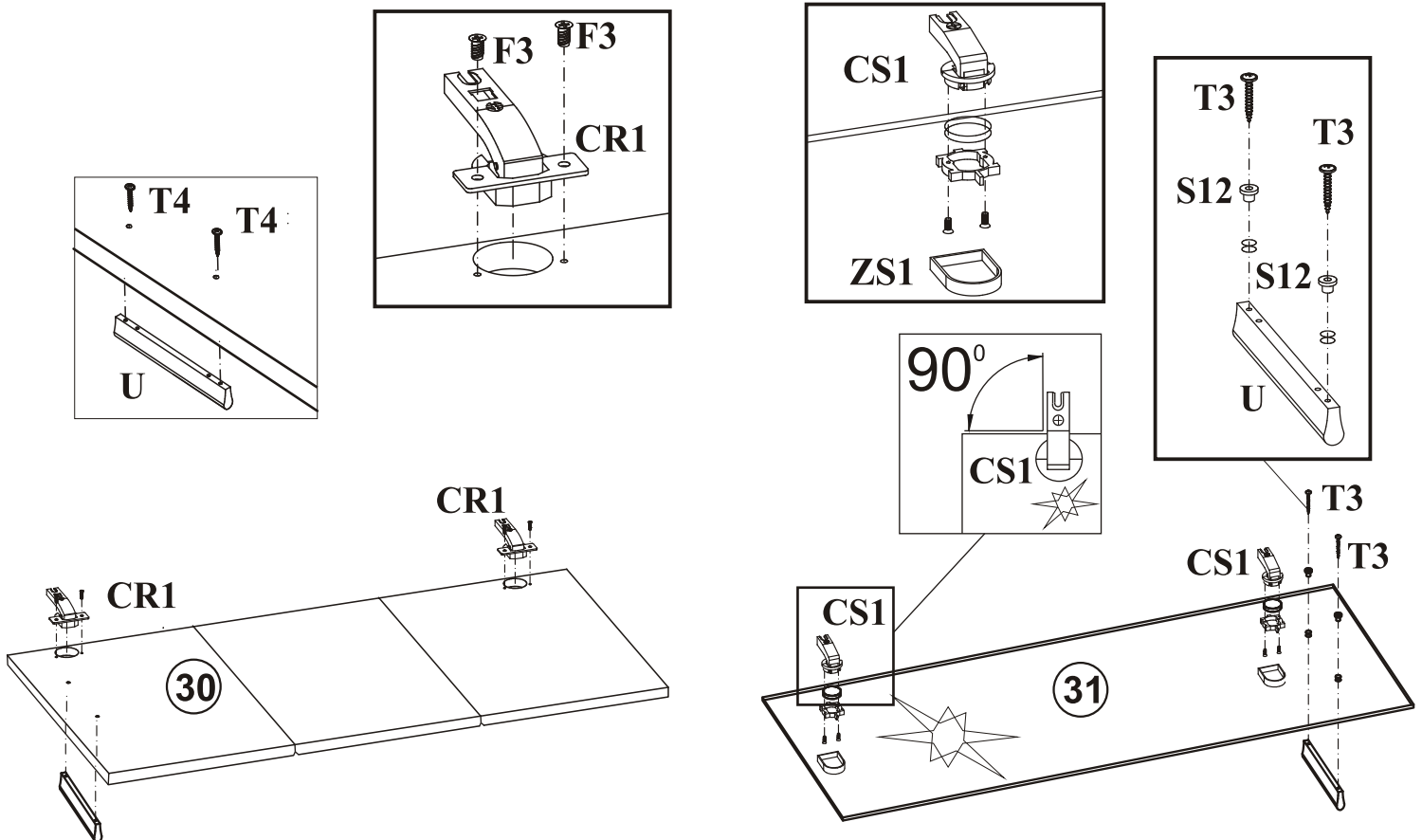
05



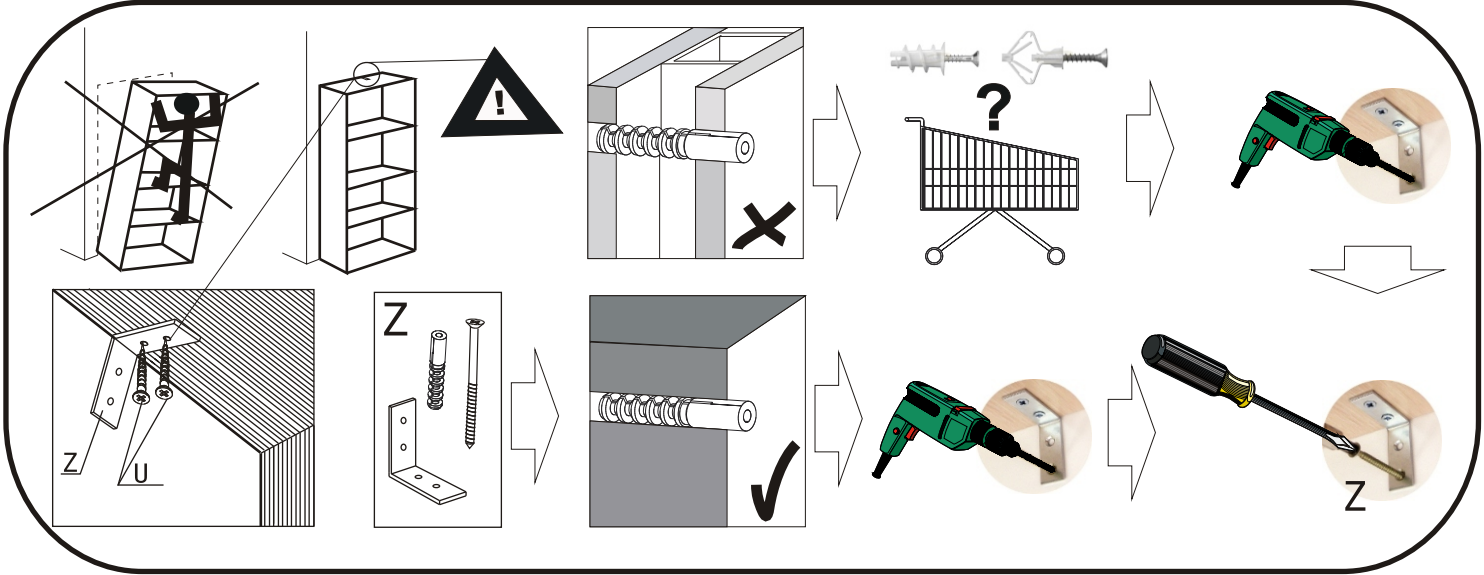
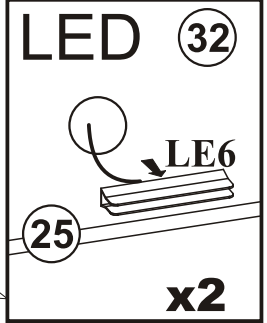
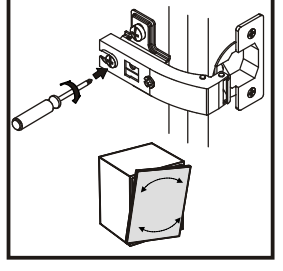
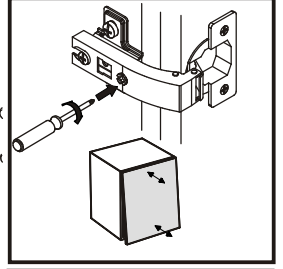
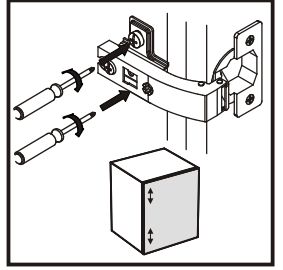
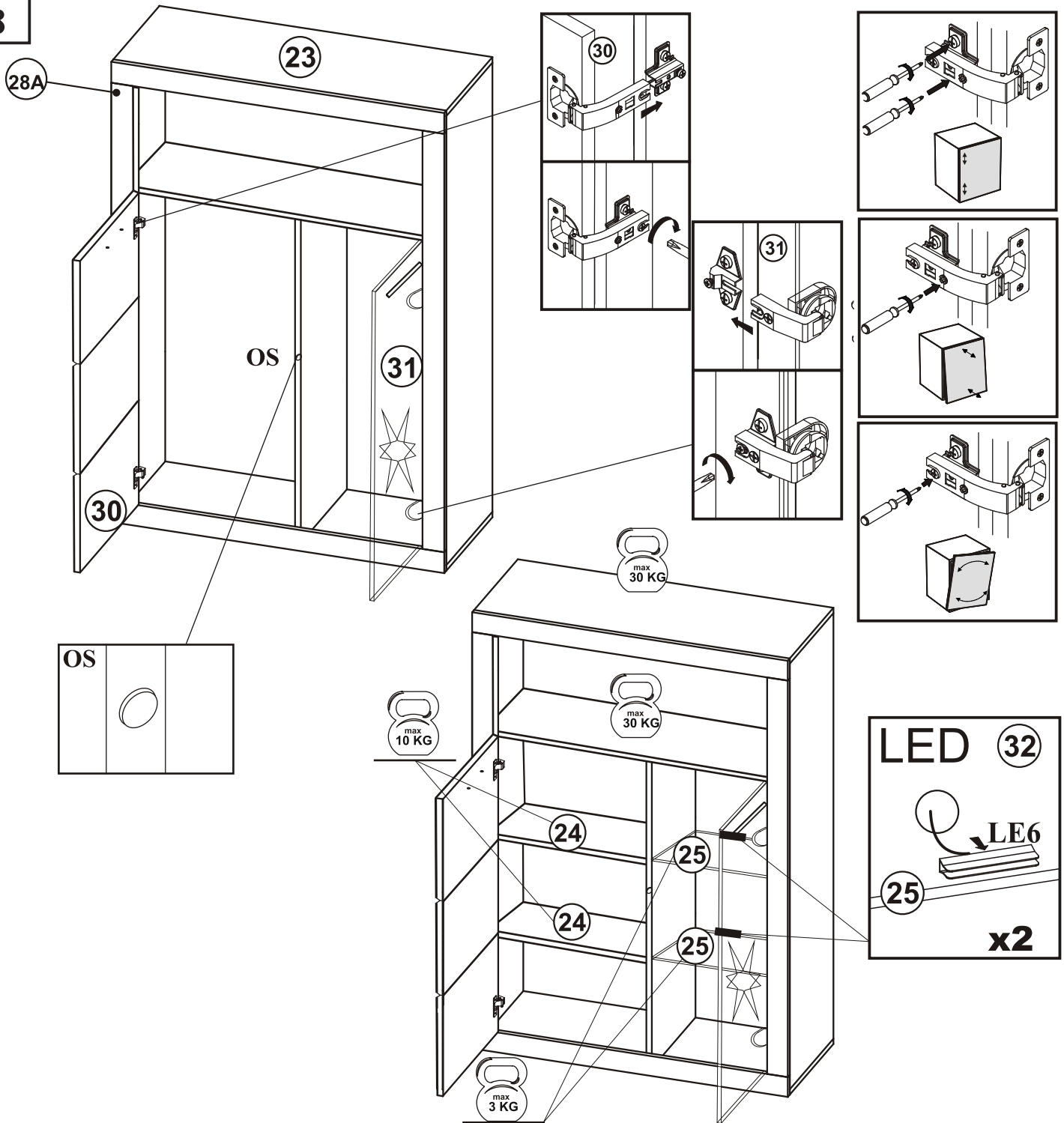
06

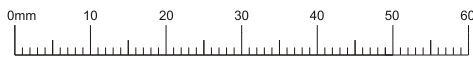
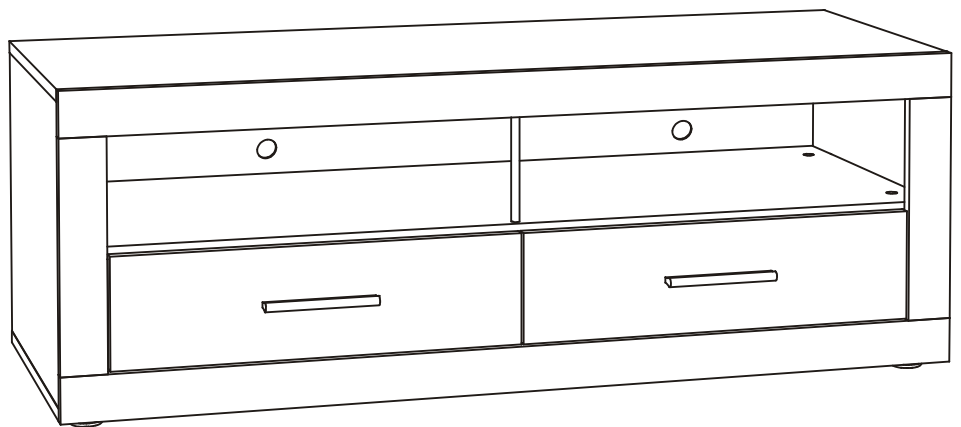
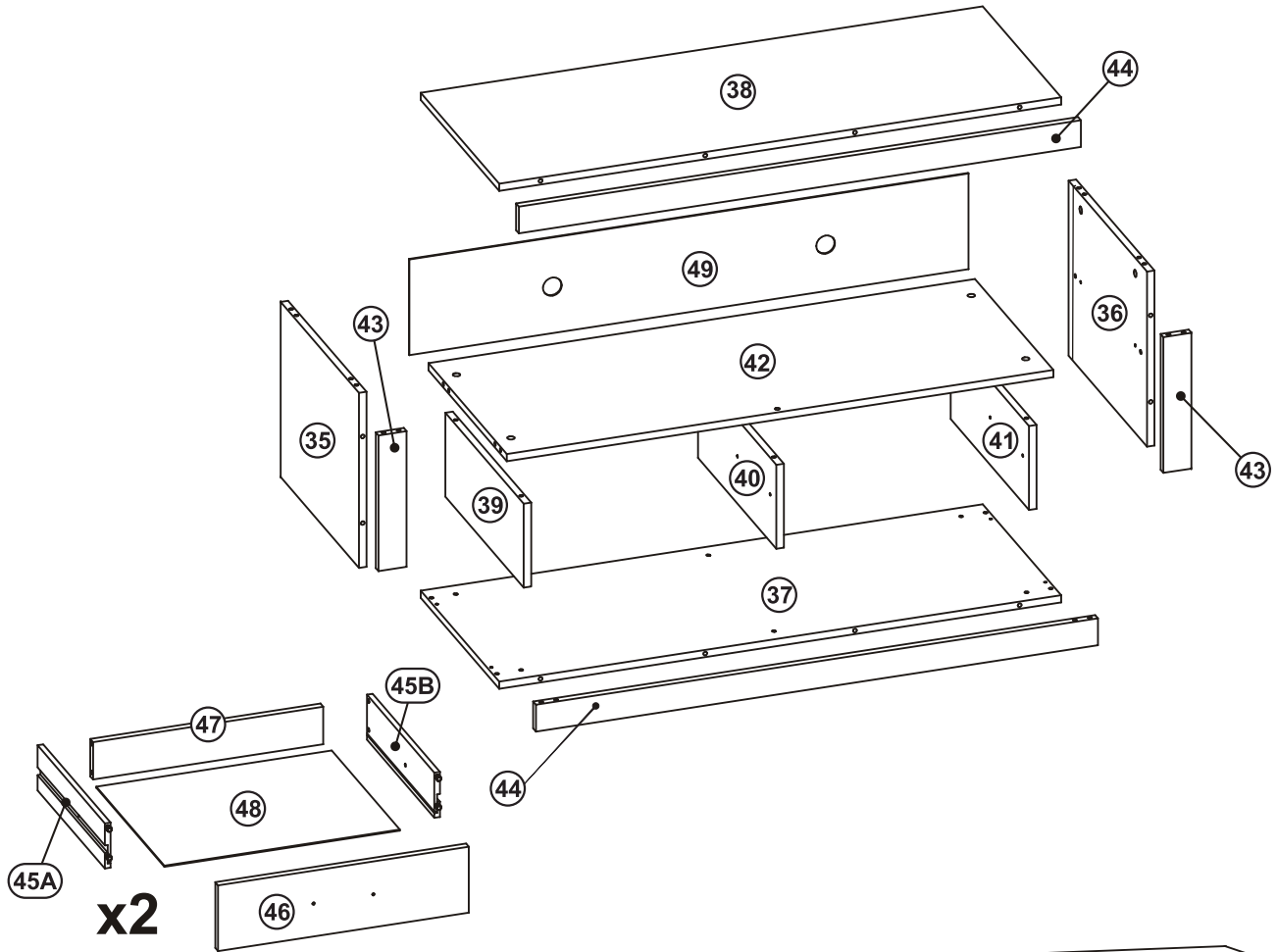






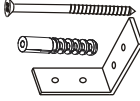
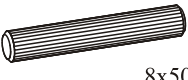




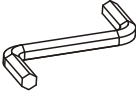




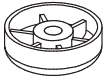
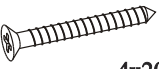


07



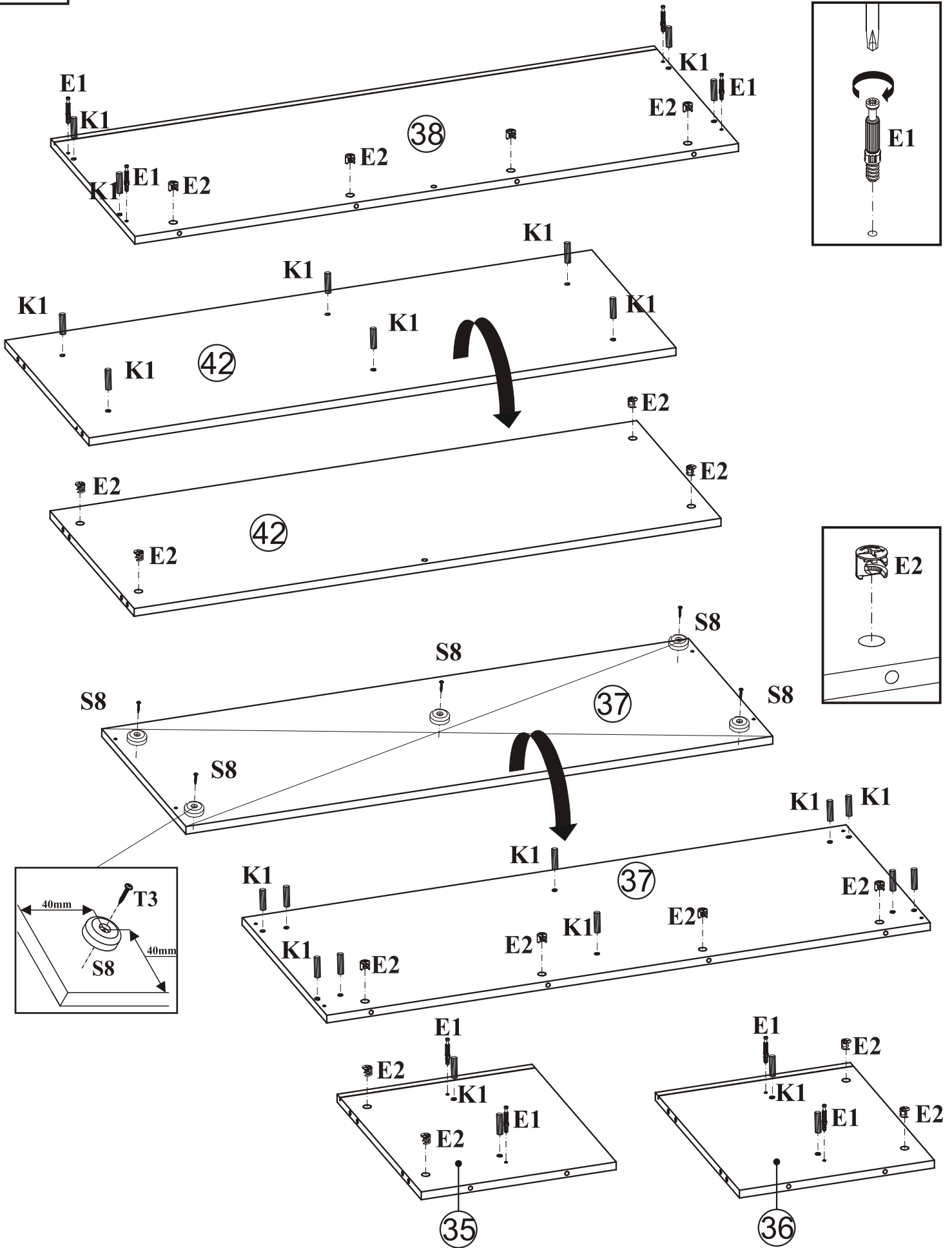
08



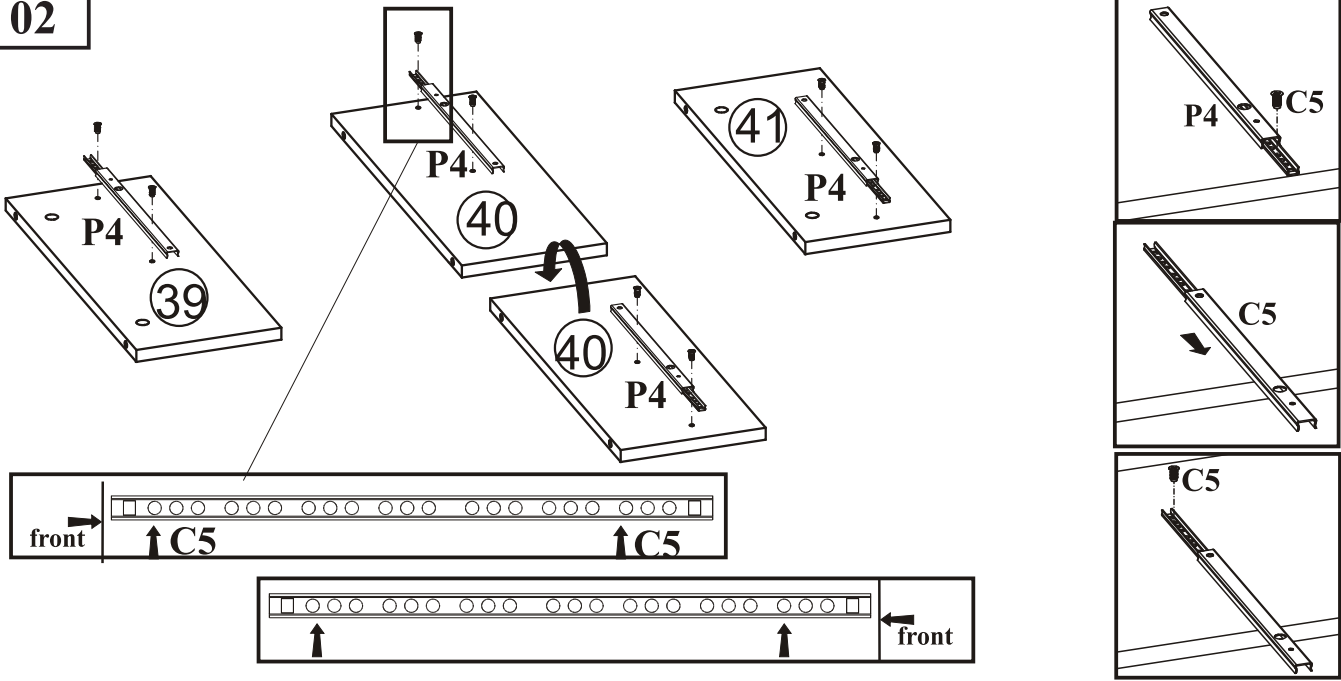


 E1 x24	 E2 x14	 E3 x14	 H1 x8	 Z x1		
 K3 x8	 P5 x4	 P4 x2	 C5 x8	 L1 x1	 O1 x1	 SP x6
 K1 x36	 G1 x18	 S24 x1	 S8 x5	 T3 x5	 U x2	 T4 x4

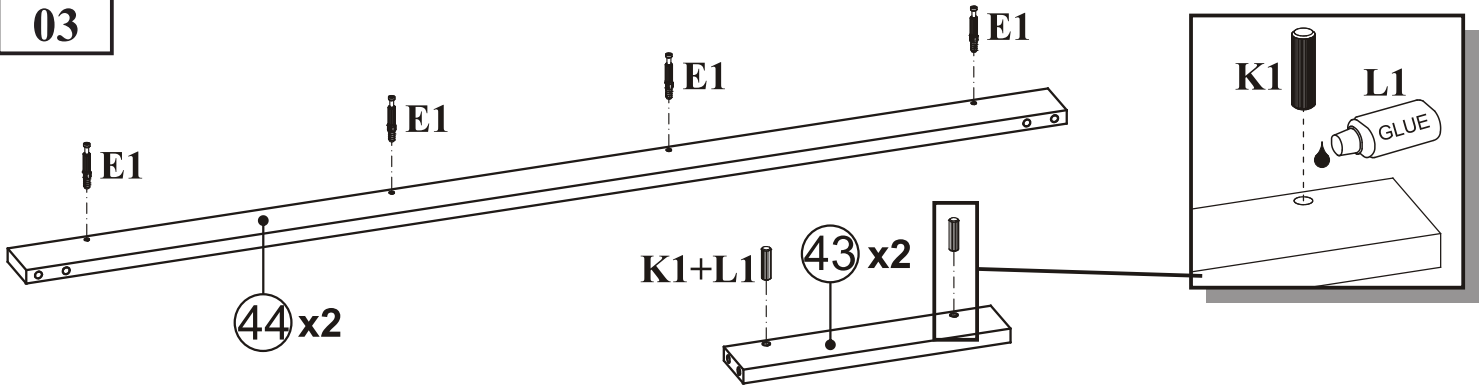
01



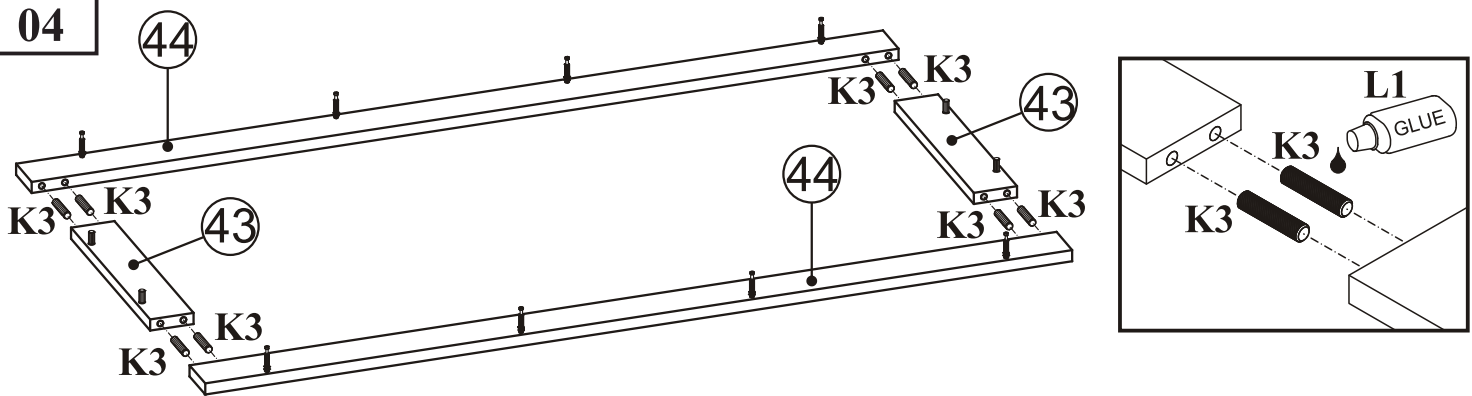
02



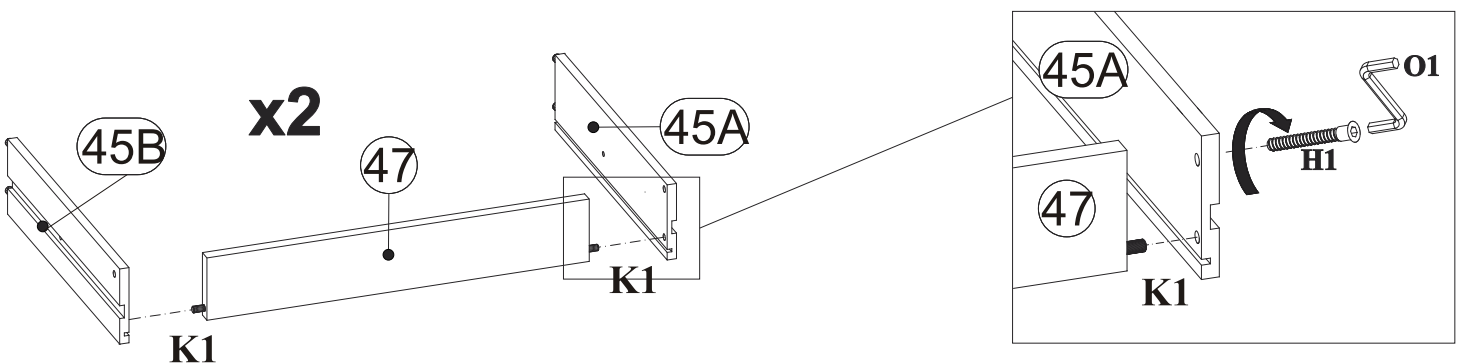
03



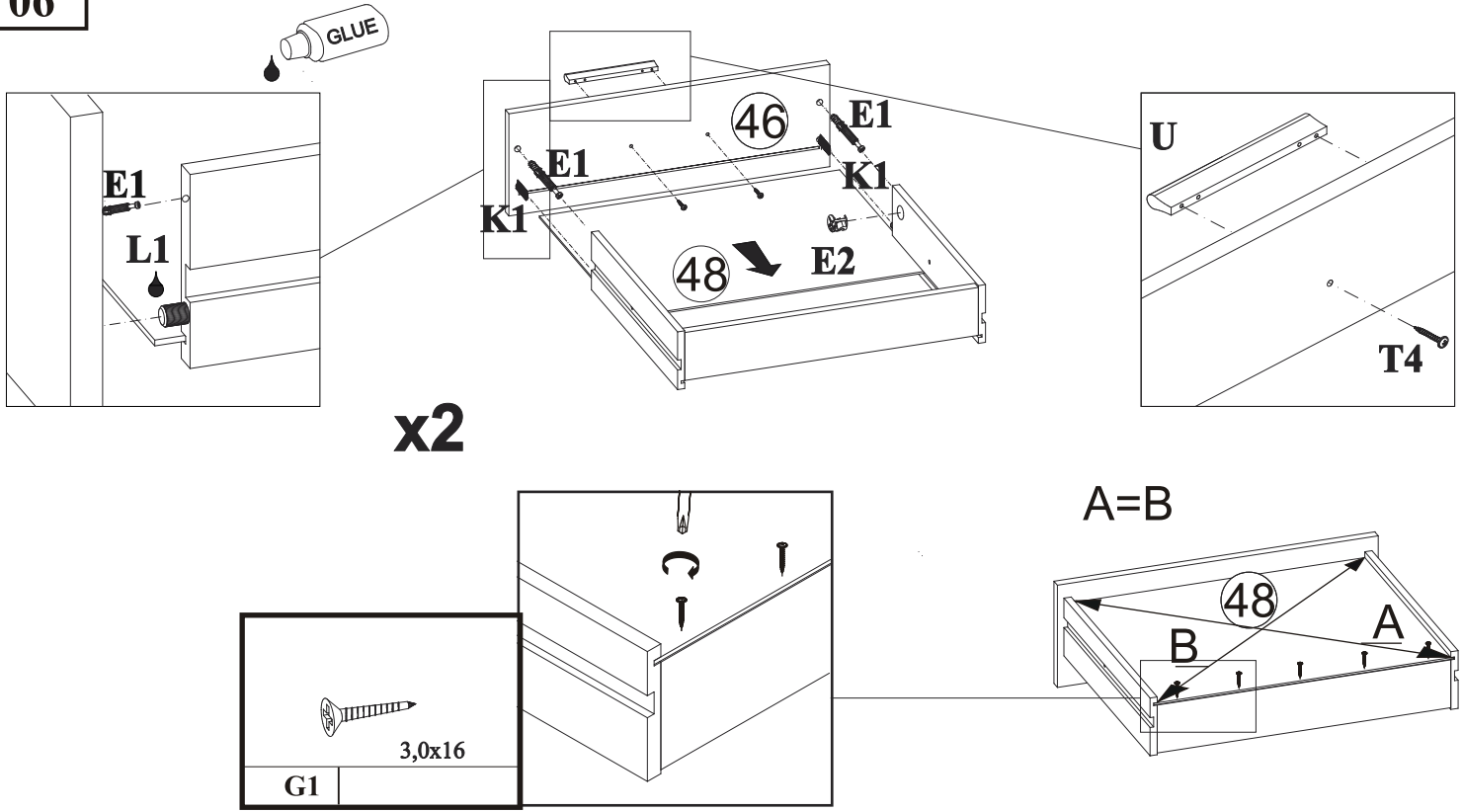
04



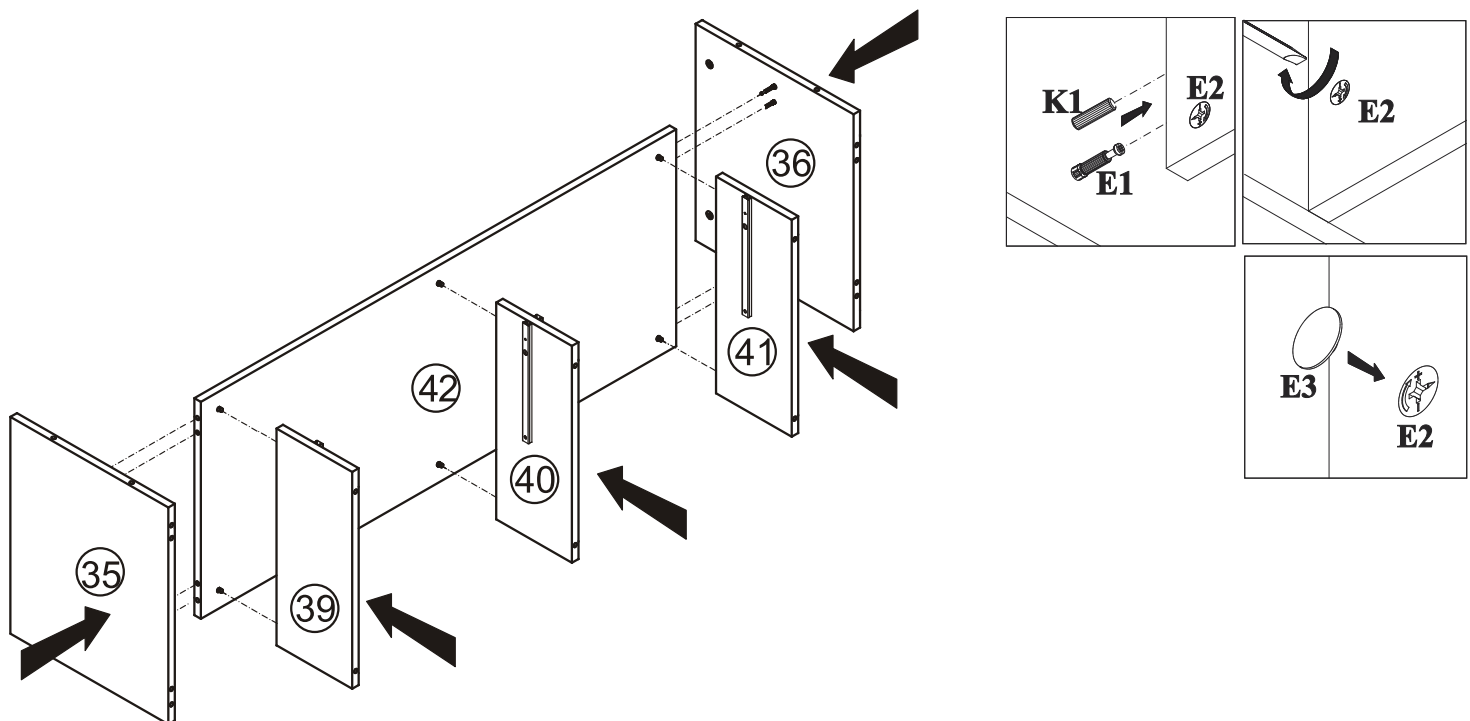
05



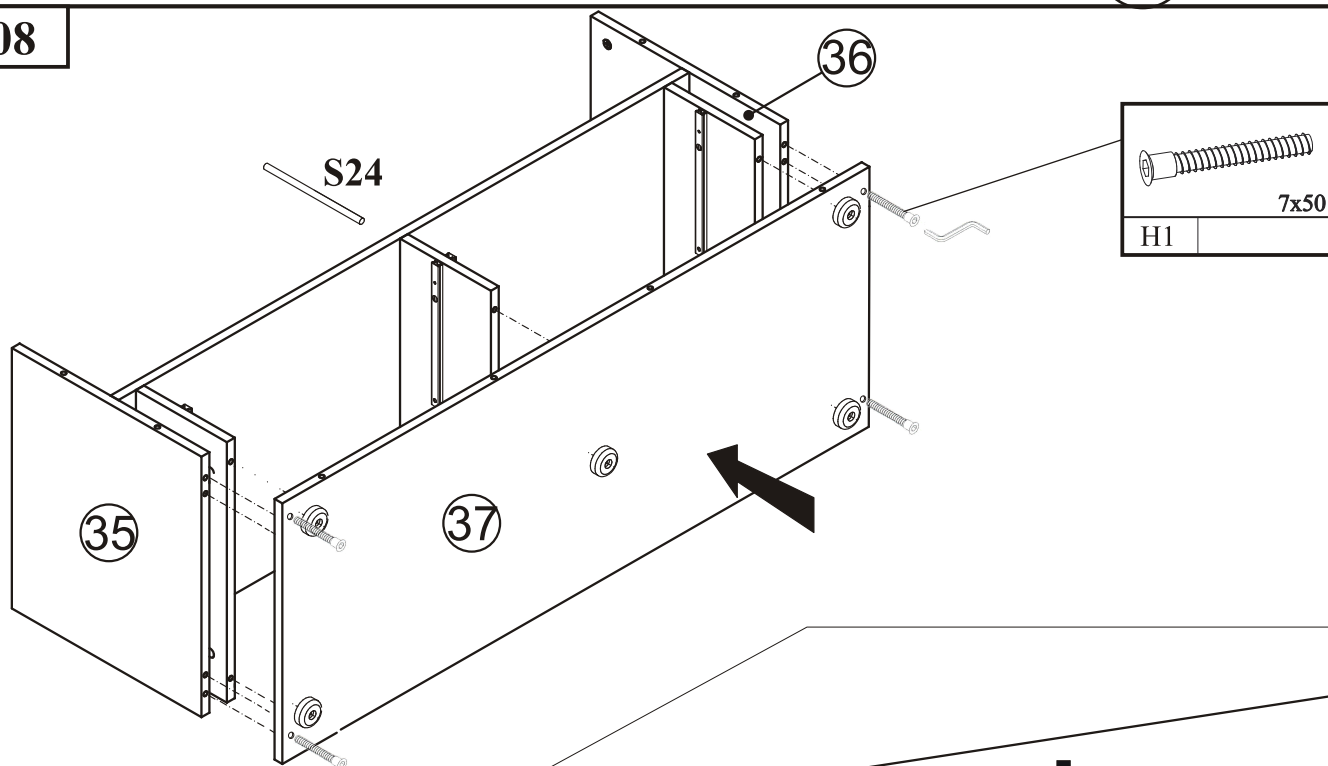
06



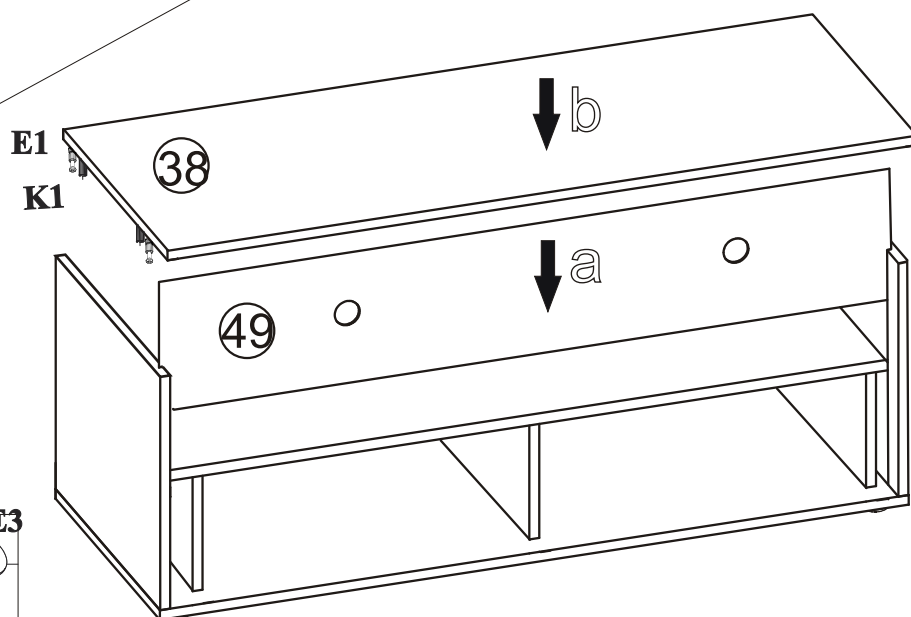
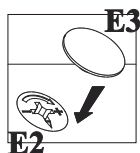
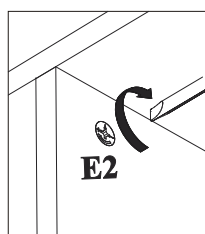
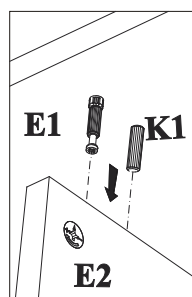
07



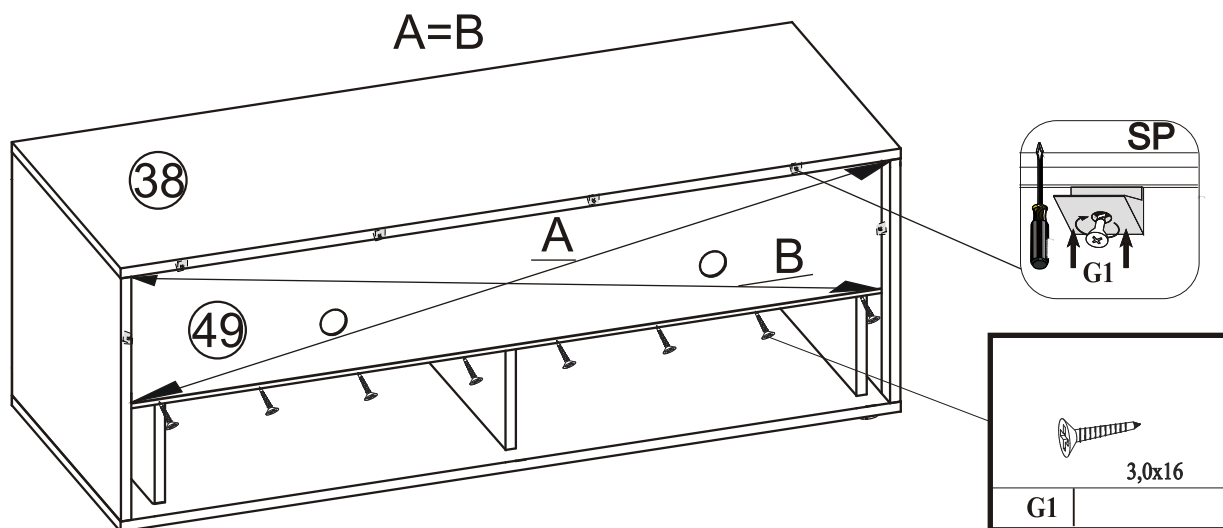
08



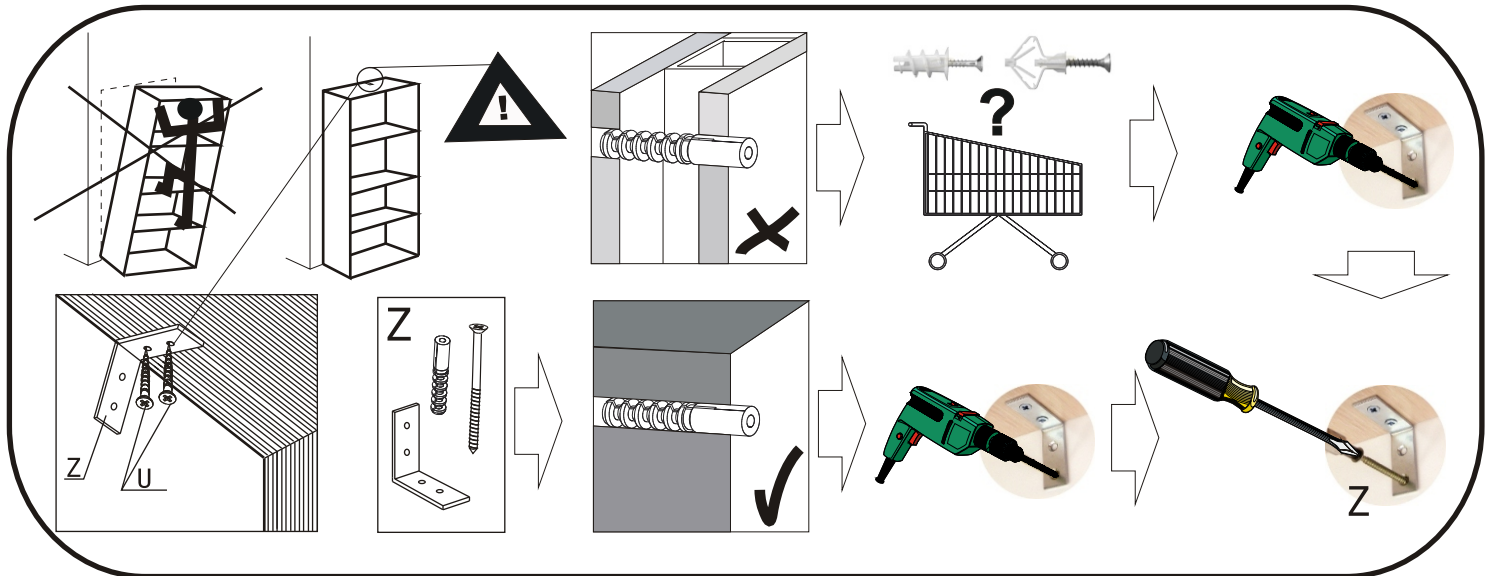
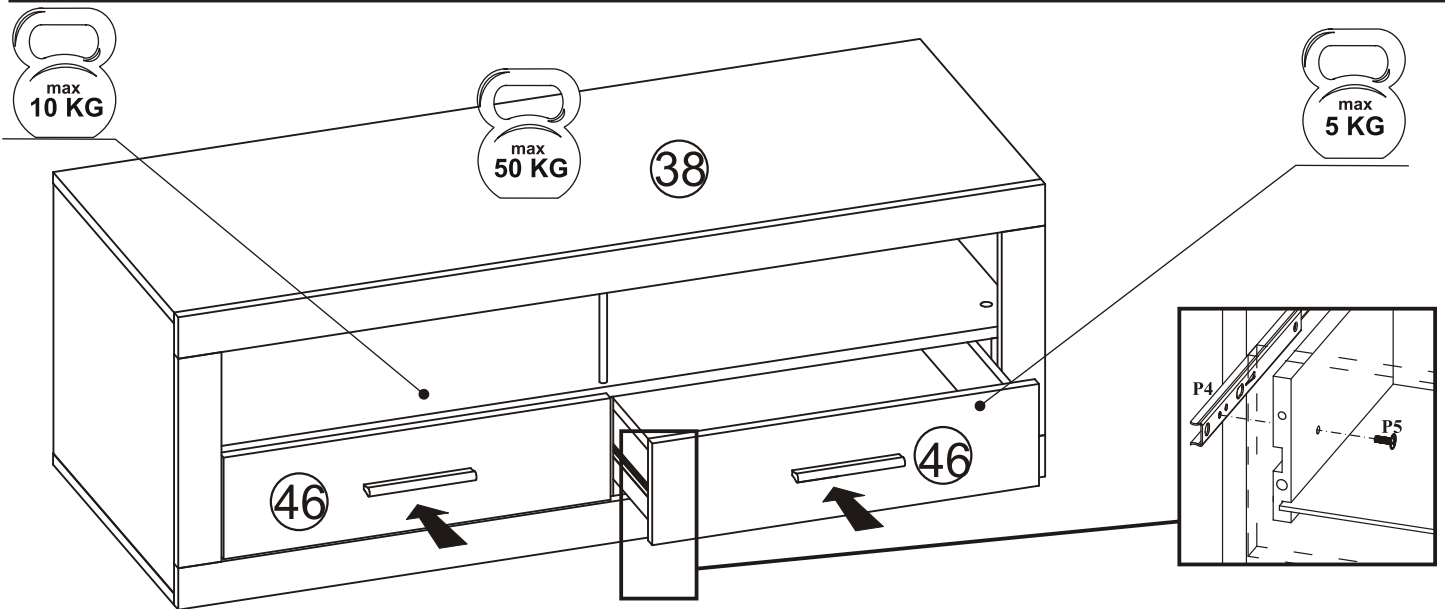
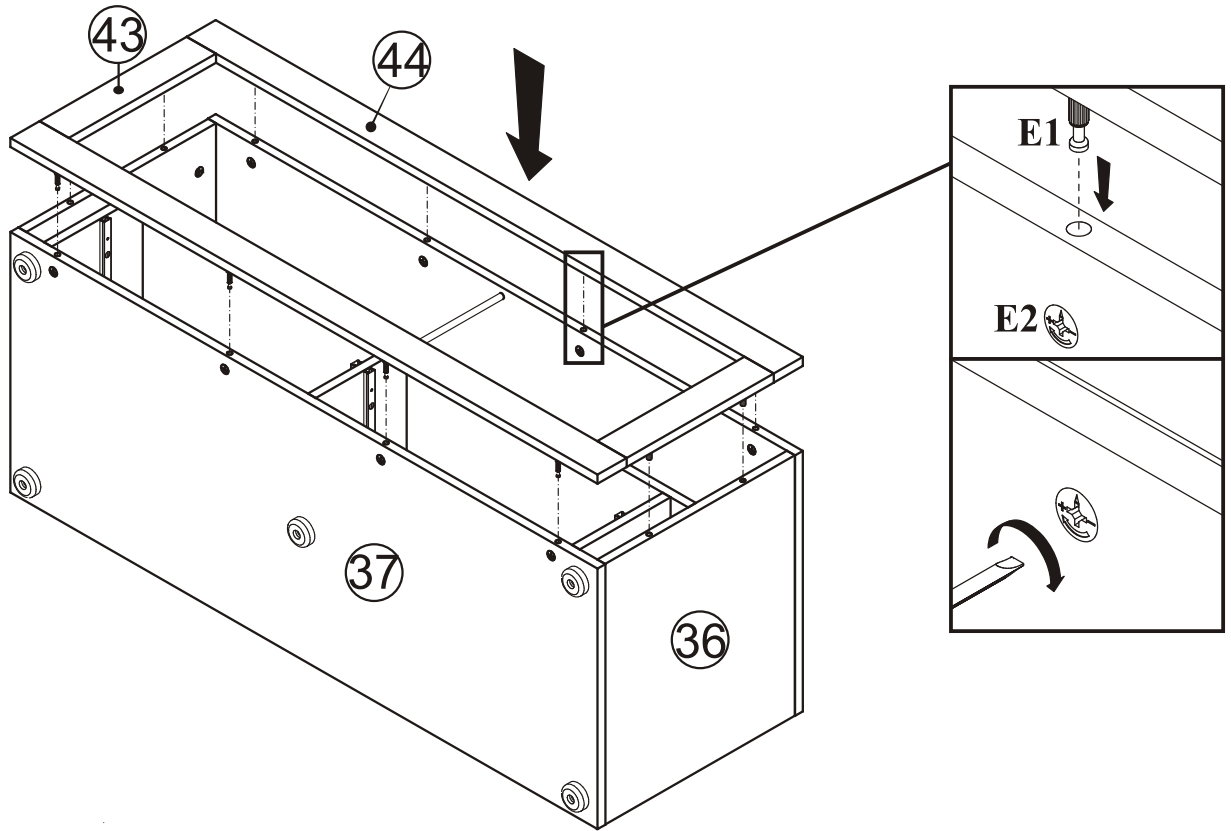
09

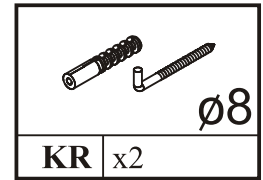
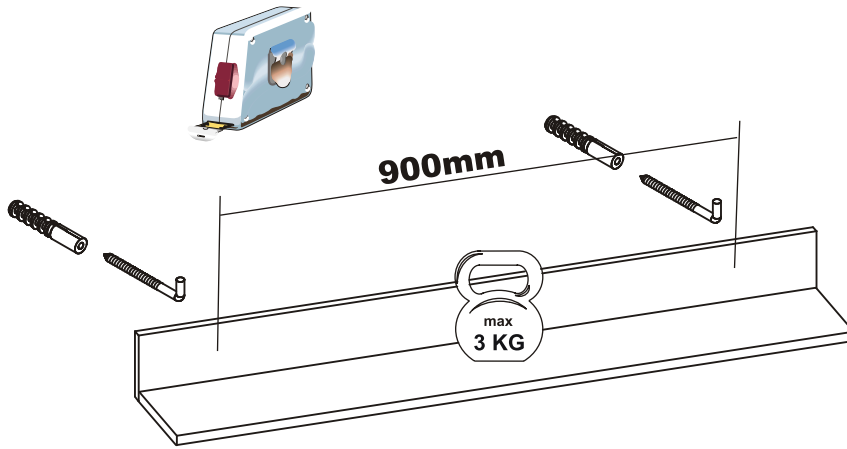


10

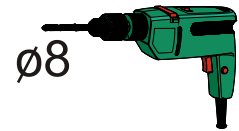
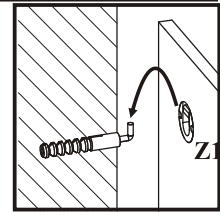


11

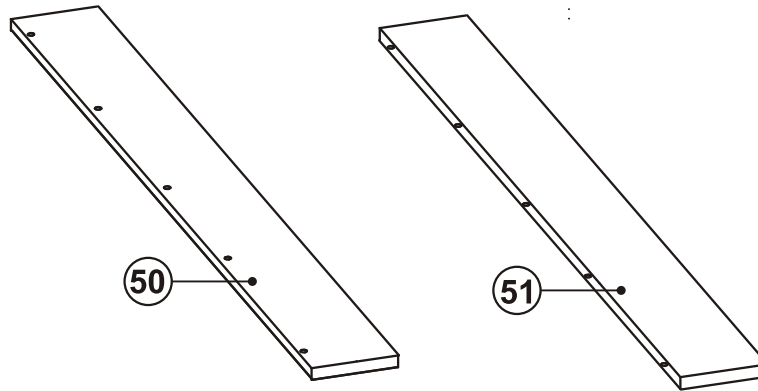




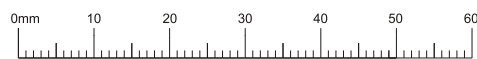
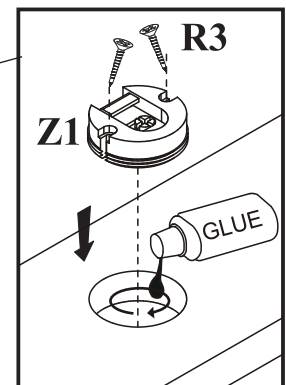
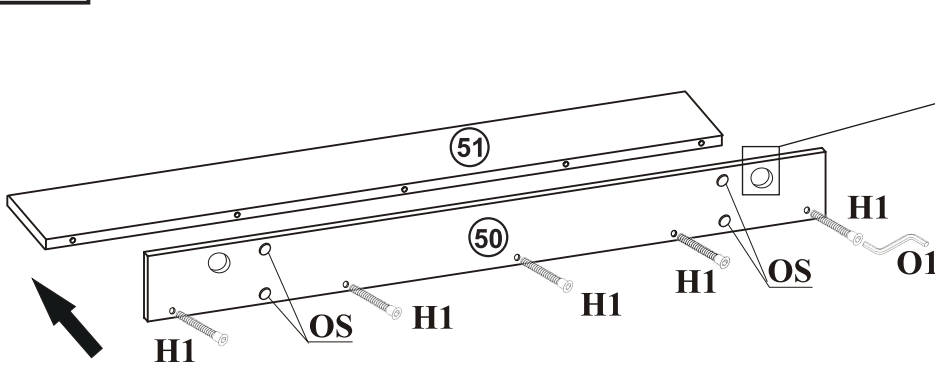
KR x2




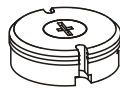



01



02



				
H1 x5	KR x2	R3 x4	Z1 x2	OS x4